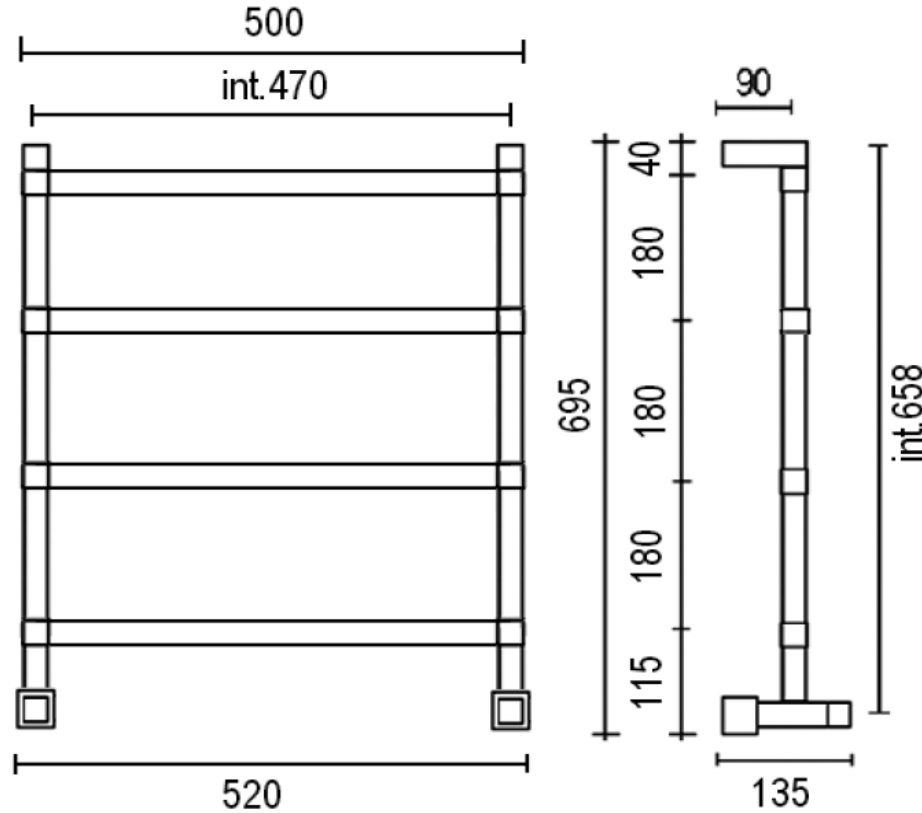


ART. 764 SERIES PANORAMA



Scaldasalviette fisso, in tubo quadro 25X25.
MODULO AGGIUNTIVO: 87mm/180mm
VERSIONE COMBINATA: disponibile
VERSIONE MONOTUBO: disponibile
MONTAGGIO A PAVIMENTO: non disponibile
SPORGENZA DAL MURO: 135mm

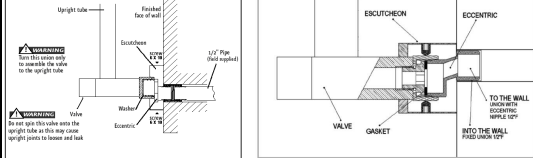


Fixed modular heated towel rail in squared brass tube 25x25
ADDITIONAL MODULE: 87mm / 180mm
COMBINED VERSION: available
SINGLE TUBE VERSION: available
FLOOR CONNECTION: not available
DISTANCE FROM THE WALL: 135mm



Стационарный модульный полотенцесушитель из латунной трубы диаметром 25ммX25мм.
Дополнительный модуль: 87мм/180мм
Комбинированная версия: Доступный
Однотрубная версия: Доступный (клапан не включен)
Напольное подключение: Недоступный
Расстояние от стены: 135мм

VALVE INSTALLATION



Tutti gli altri articoli ad acqua calda / All the other hot water heated towel rails / Все другие предметы в горячей воде



TO THE WALL: union with eccentric nipple 1/2" M

INTO THE WALL: fixed union 1/2" F

Oppure a richiesta / Or on request / no запорцы



Adaptor kit for copper tube Ø10-12-14-16 mm

Adaptor kit for tube Ø10-12-14-16 mm

TECHNICAL NOTES

no. 2 valves supplied

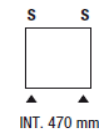
assembled without welding

Specify in the order: material and diameter of the connection pipe

SPARE PARTS

SC0000AA12CR

MAXIMAL WORKING PRESSURE: 600 kPa
STANDARD TESTING PRESSURE: 800 kPa
TESTING PRESSURE IN LABORATORY: 1500 kPa
MAXIMAL WORKING TEMPERATURE: 95°C
MATERIAL: BRASS



OPTIONAL



ART.	SERIES	INT.(mm)	ΔT50°C (TG)			ΔT50°C (TG+V)			ΔT50°C (V)			ΔT30°C (TG)			WEIGHT
			watt	kcal/h	btu	watt	kcal/h	btu	watt	kcal/h	btu	watt	kcal/h	btu	
742	PANORAMA	470	199	171	680	239	217	863	259	223	885	104	89	352	10

Le misure si intendono indicative e devono essere verificate in sede di installazione. I dati tecnici riportati nella presente documentazione non sono impegnativi. MARGAROLI SRL si riserva di apportare in qualsiasi momento tutte le modifiche ritenute necessarie per il miglioramento del prodotto.
The measures showed are indicative and must be verified before installation. Technical data shown in this booklet are not binding. MARGAROLI SRL shall have the right to introduce at any whatever modifications deemed necessary to the improvement of the product.