

Measurements in mm

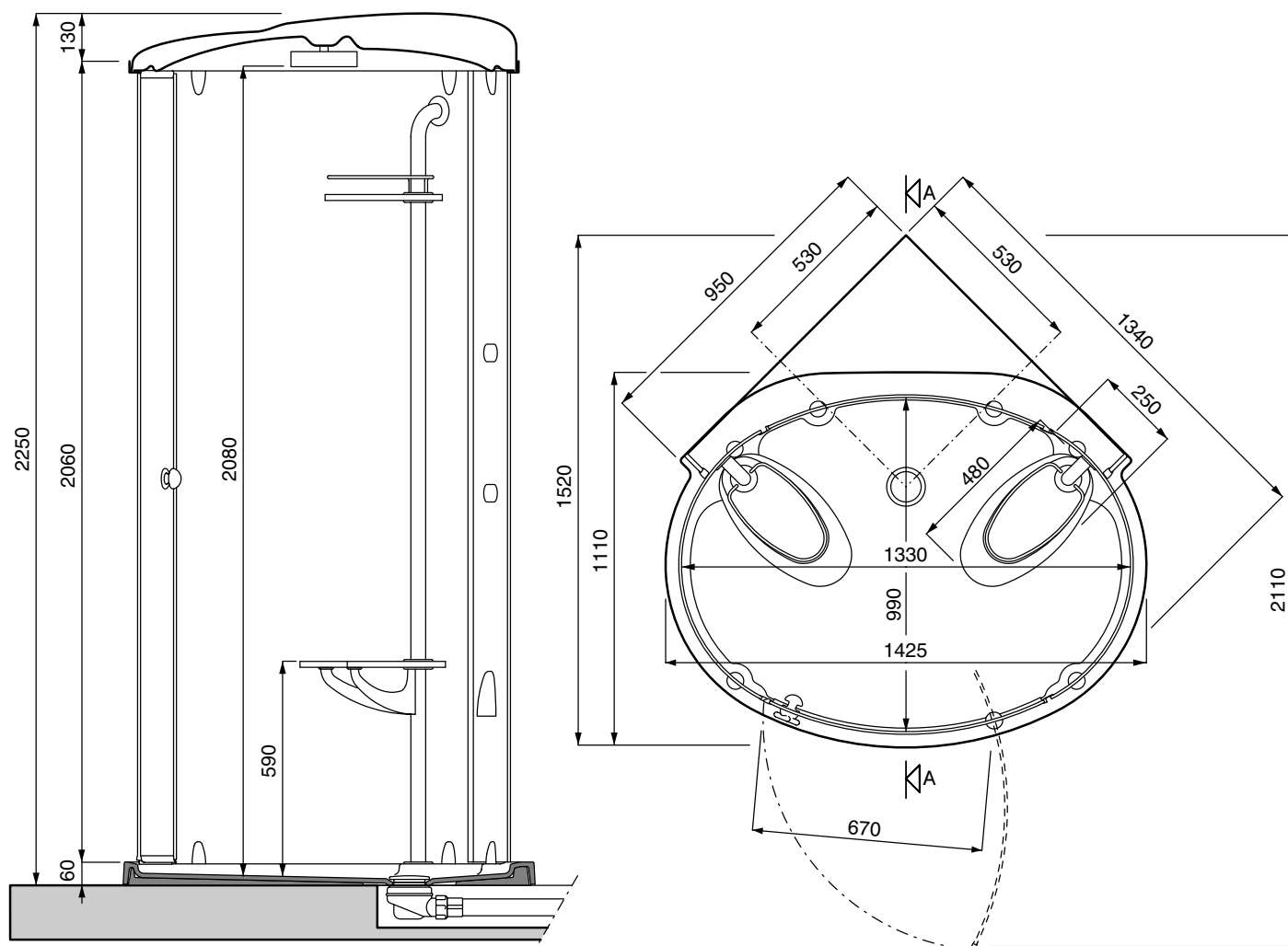
- Hot water connection for 1/2" tap fittings
- Cold water connection for 1/2" tap fittings
- IPX5 box with PG16 and PG9 cable clamps
  - ELECTRICAL CONNECTION
  - ALARM SYSTEM CONNECTION
- AUX** - IPX5 box with PG7 cable clamp
  - AUDIO INPUT CONNECTION
- A** - Drain connection area

**N.B.**

- The product is designed for installation against masonry walls. For stud partition walls (wood, plasterboard) make certain the structure is reinforced sufficiently to provide a firm anchorage.
- Installation must take place once floors and walls are completed.
- The floor where the shower is to be installed must be perfectly level.
- Waterproof the hole in the floor where the waste trap will be housed.
- The product is intended for corner installation only and cannot be built into a niche.

The room in which the sauna shower is to be installed must be at least 230 cm high for maintenance purposes.

ART. E01 Evolution L CR			HYDRAULIC CHARACTERISTICS		ELECTRICAL CHARACTERISTICS				
Net Weight Kg.	Delivery Weight Kg.	Delivery Volume m³	Multifunctions		Sauna and Multifunctions				
			Capacity	Water Main Pressure	Art.	Mod.	V	Hz	kW
303	496	6,51	16 ÷ 24 l/min	Min 2 ÷ Max 4 bar	L	5MTD28	230	50	5
						5MTD29	400		



## ELECTRICAL INSTALLATION

- The electrical power supply system must be in compliance with national statutory regulations.
- The appliance must be connected to the power supply by way of an isolating switch (I) with minimum contact separation of 3 mm, sited away from areas 0, 1, 2 and 3 (IEC 364-7-701).
- Make certain the appliance is connected to the power source by way of a residual current device with minimum threshold  $\leq 30$  mA.
- The electrical connection (  $\sim$  ) must include a connection to the earth system and must be:
  - permanent
  - able to handle the rated current (see data plate).
  - specified to liquids ingress protection category IPX5.

## EQUIPOTENTIAL BONDING

The appliance must be equipotentially bonded by making the connection to the terminal positioned at the bottom of the frame.

## CONNECTION FOR ALARM SYSTEM

The product is prewired for connection to the bathroom alarm system (open/close contact, voltage-free).

## AUDIO INPUT

The product is prewired for connection to a HI-FI system by means of AUX IN.

## HYDRAULIC INSTALLATION

Prepare the hot and cold water connections for water supply and the drain connection.

The Multifunctions will work properly only when the water supply has the following characteristics:

- water main min/max pressure 2 - 4 bar
- max. temperature of hot water for shower and multifunction 60°.

