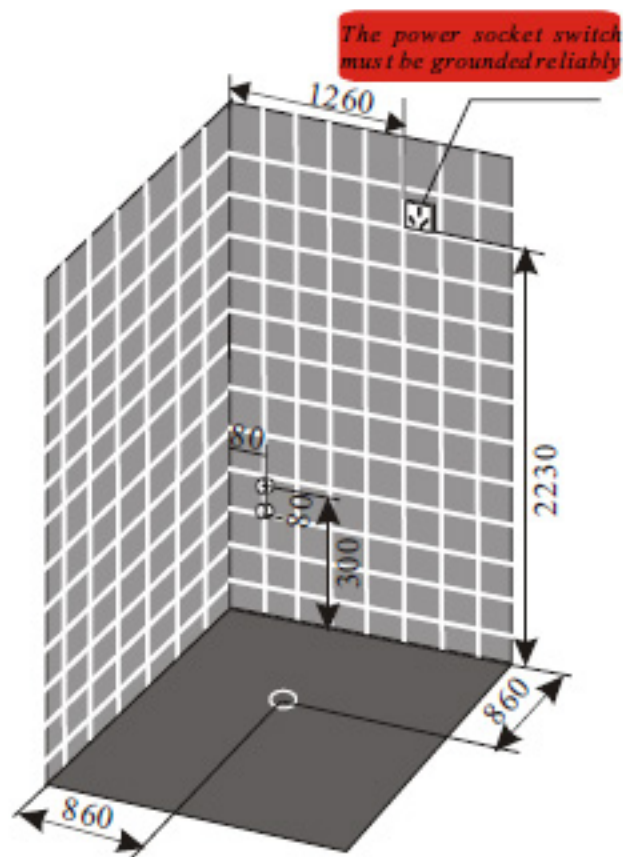
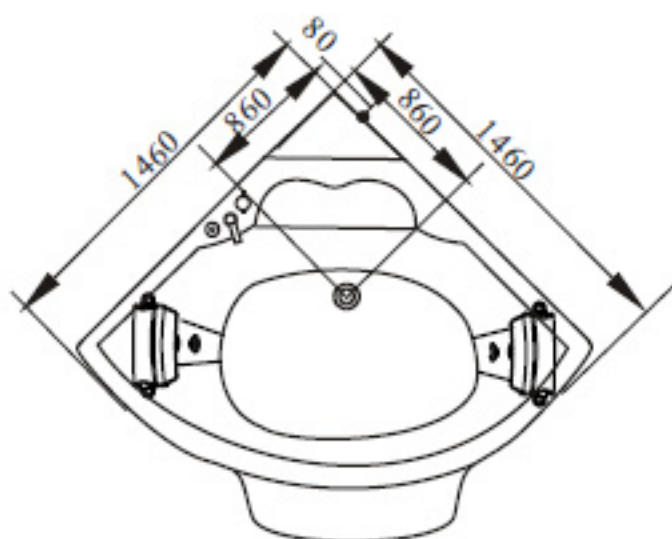
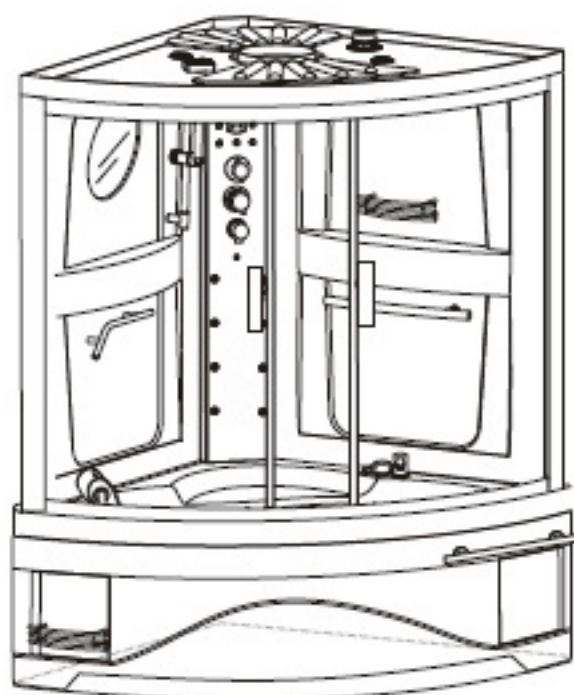
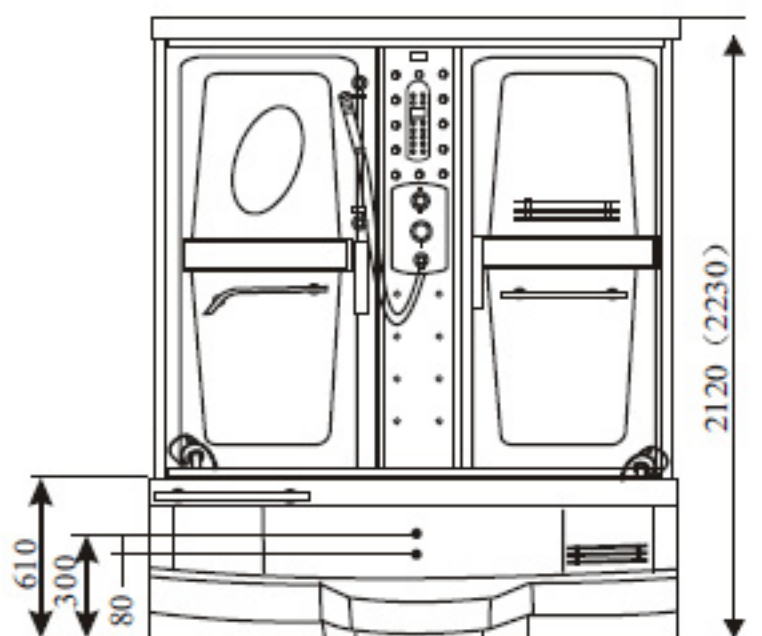


Applicable model: ZS151511 (F1)



Note: (1) It is better to provide a separate power switch for the power socket, and install it at the entrance of the bathroom;  
(2) G1/2" connector is taken for cold/hot water supply, with the elbow 30mm out of the wall. It is recommended to provide a valve for each of the cold and hot water pipeline.