

## Important planning information for bathtubs and whirltubs

### Place of installation

- Check the width of the doors to ensure that the bathtub will fit through and into the bathroom.
- There must be no floor heating below the bathtub.
- The floor must be absolutely flat and horizontal.
- Install **bathtubs with panelling** after tiling.
- Install **bathtubs without panelling** either before or after tiling.
- **Whirltubs:** depending on the combination of bathtub and whirl-system, system components might protrude beyond the rim of the bathtub. This is why we recommend installation in a bathtub casing.
- **Tolerances with acrylic:** as a result of the manufacturing process, deviations from the specified nominal dimensions are possible within the scope of the tolerances as per DIN 198. Please take this into account during planning.

### Inspection openings and ventilation grates

#### Tiling the bath

- Provision must be made for the following inspection openings:
  - Outlet and overflow fitting 200 x 200 mm
  - Aggregates 500 x 500 mm
  - For the position, see chapter "Whirl systems product information".
- Whirl tub or bathtub with coloured light: for the air supply, allow an opening with an area of approx. 15 cm<sup>2</sup> (e.g. 3 x 5 cm or 2 x 7.5 cm) in the panel.

#### Bathtub with Duravit panelling

- It must be possible to remove the panelling for inspection purposes. For this reason, allow a certain amount of space in front of the panelling.
- For the air supply, an opening is pre-installed in the panelling; this must not be covered.


### Water connection

The water may only be connected by a qualified plumber. Country-specific standards and local regulations must be observed in full.

#### Water connection

- Connect the inlet and outlet according to current standards and local regulations.
- Ensure that the connecting sleeve is flush with the floor.

### Electrical installation for bathtubs with coloured light and whirltubs

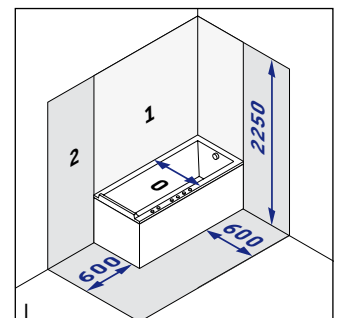
 The electricity may only be connected by a qualified electrician. Country-specific standards, local regulations and low-voltage guidelines must be observed in full.

#### Electrical connection

Electrical data

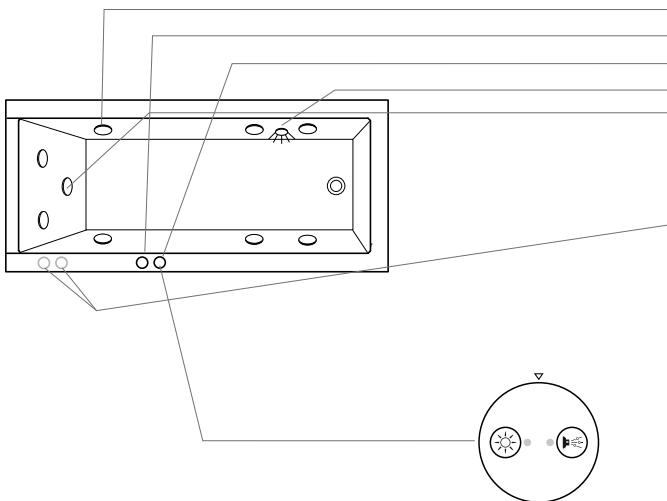
Whirlsystem	Max. rated power without heating	Max. rated power with heating	Frequency Voltage
Air	1,08 kW	-	50 Hz: 230 V~AC 60 Hz: 220 V~AC
Jet	0,74 kW	-	
Combi P	2,19 kW	-	
Combi E	2,74 kW	3,50 kW	
Combi L	2,38 kW	5,34 kW	
Jet E	1,69 kW	2,69 kW	
Jet L	1,36 kW	4,36 kW	

- Potential equalisation installed, 3000 mm
- Install supply line in acc. with the following requirements (two supply lines for combi system L with temperature module):
  - Fuse protection  $I_N = 16A$ ,  
RCD max. 30mA
  - Switched via all-pole disconnecting mains switch, outside zones 0, 1 and 2 (see Fig. I)
  - Cable length 3000 mm



## Whirl-Systems Product Information

### Jet E System



#### Equipment

- 6 side mounted jets (air + water)
- Control panel Jet E
- Air control regulator Jet-System
- 1 underwater light, 50W
- 3 adjustable rotating back-massage jets

#### Additional modules (optional)

- Inline heater (without image)
- Control panel electronic cleaning system

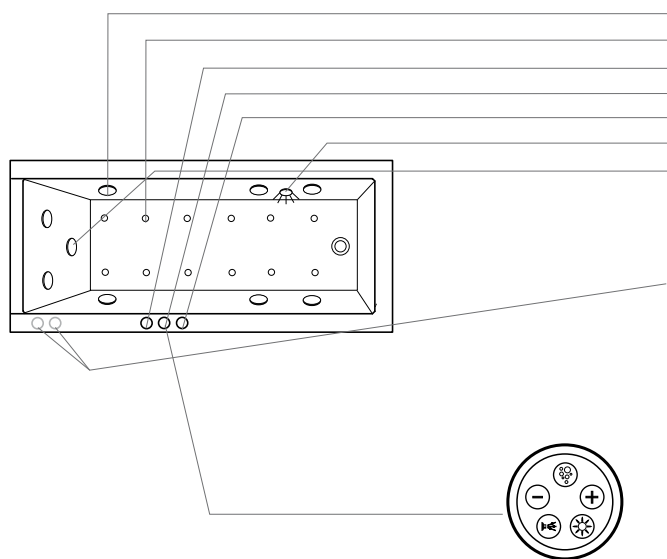
#### Accessories (optional)

- Cable-driven waste and overflow with integrated water inlet (without image)
- Coloured Light with remote control for whirltubs (without image)

#### Control panel Jet E

The system is operated by pressing the raised symbol on the control panel.

### Combi-System E



#### Equipment

- 6 side mounted jets (air + water)
- 12 jets embedded in the floor (air)
- Air control regulator back-massage
- Control panel Combi-System E
- Air control regulator Jet-System
- 1 underwater light, 50W
- 3 adjustable rotating back-massage jets

#### Additional modules (optional)

- Inline heater (without image)
- Control panel electronic cleaning system

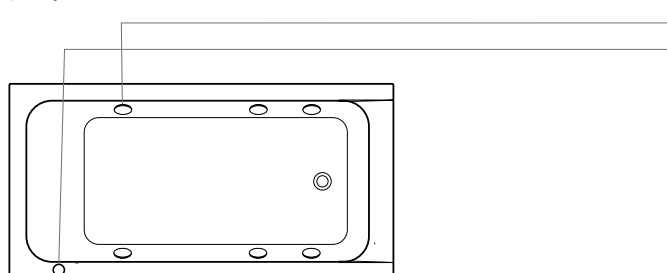
#### Accessories (optional)

- Cable-driven waste and overflow with integrated water inlet (without image)
- Coloured Light with remote control for whirltubs (without image)

#### Control panel Combi-System E

The system is operated by pressing the raised symbol on the control panel.

### Jet System (D-Code)

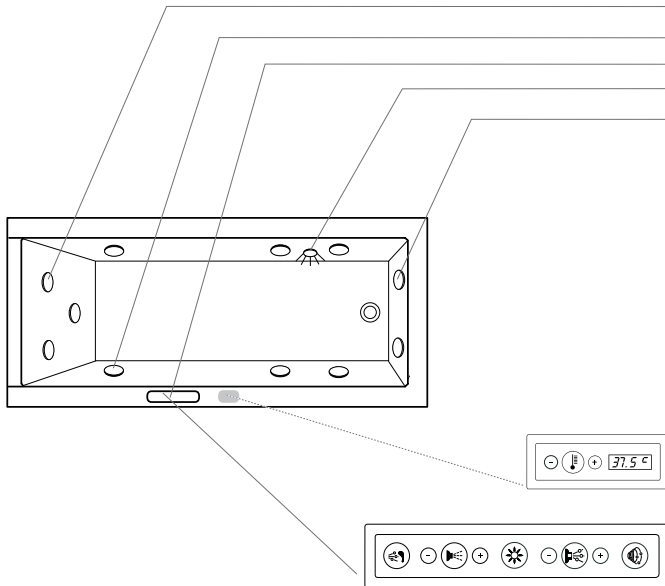


#### Equipment

- 6 side mounted jets (air + water)
- Operating unit + Air control regulator

## Whirl-Systems Product Information

### Jet L System



#### Equipment

- 3 adjustable rotating back-massage jets
- 6 side mounted jets (Air + water)
- Control panel Jet L
- 1 underwater light, 50 W
- 2 adjustable rotating foot-massage jets

#### Additional modules (optional)

- Coloured light (instead of underwater light) (without image)
- UV Hygiene Management (without image)
- Temperature L (without image)

#### Accessories (optional)

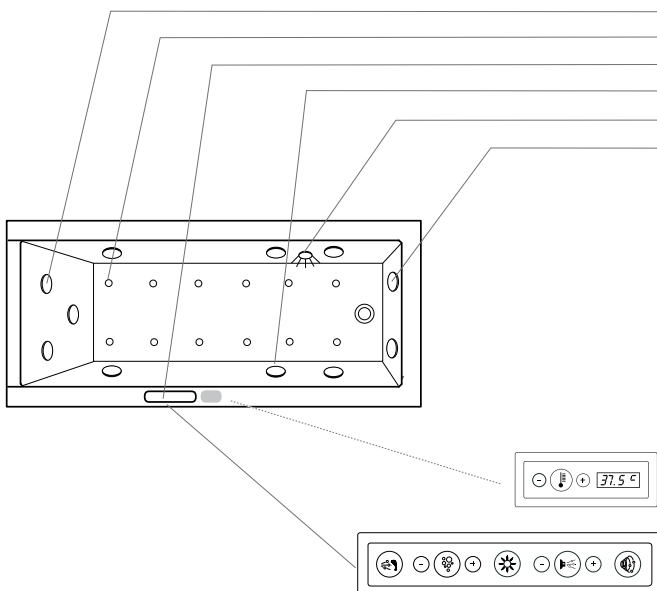
- Cable-driven waste and overflow with integrated water inlet (without image)

#### Control panel Temperature L (optional)

#### Control panel Jet L

The operating symbols are almost invisible at first. By gently pressing the area within the stainless steel frame, the lighting comes on gradually. The functions are controlled via the now visible symbols. Once the whirl action is over, the lighting dims completely.

### Combi-System L



#### Equipment

- 3 adjustable rotating back-massage jets
- 12 jets embedded in the floor (Air)
- Control panel Combi-System L
- 6 side mounted jets (Air + water)
- 1 underwater light, 50 W
- 2 adjustable rotating foot-massage jets

#### Additional modules (optional)

- Coloured light (instead of underwater light) (without image)
- UV Hygiene Management (without image)
- Temperature L (without image)

#### Accessories (optional)

- Cable-driven waste and overflow with integrated water inlet (without image)

#### Control panel Temperature L (optional)

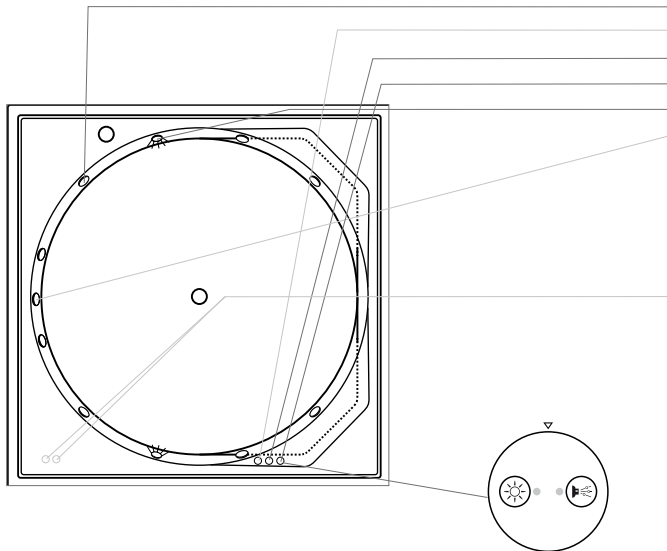
#### Control panel Combi-System L

The operating symbols are almost invisible at first. By gently pressing the area within the stainless steel frame, the lighting comes on gradually. The functions are controlled via the now visible symbols. Once the whirl action is over, the lighting dims completely.

## Whirl-Systems Product Information

### Blue Moon

#### Jet E-System



#### Equipment

- 6 side mounted jets (air + water)
- Air control regulator back-massage
- Air control regulator Jet-System
- Control panel Jet E
- 2 underwater lights, 50 W
- 3 adjustable rotating back-massage jets (arranged in different heights)

#### Additional modules (optional)

- Inline heater (without image)
- Control panel electronic cleaning system

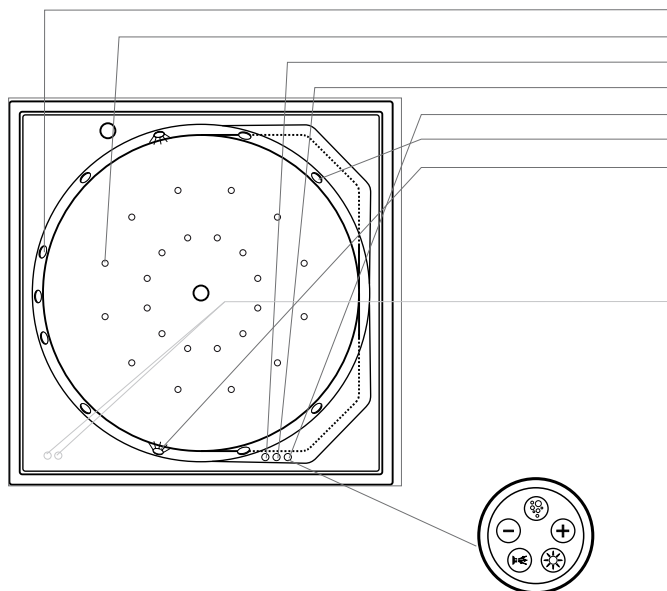
#### Accessories (optional)

- Coloured Light with remote control for whirltubs (without image)

#### Control panel Jet E

The system is operated by pressing the raised symbol on the Control panel.

### Combi-System E



#### Equipment

- 3 adjustable rotating back-massage jets (arranged in different heights)
- 24 jets embedded in the floor (air)
- Air control regulator back-massage
- Air control regulator Jet-System
- Control panel Jet E
- 6 side mounted jets (air + water)
- 2 underwater lights, 50 W

#### Additional modules (optional)

- Inline Heater (without image)
- Control panel electronic cleaning system

#### Accessories (optional)

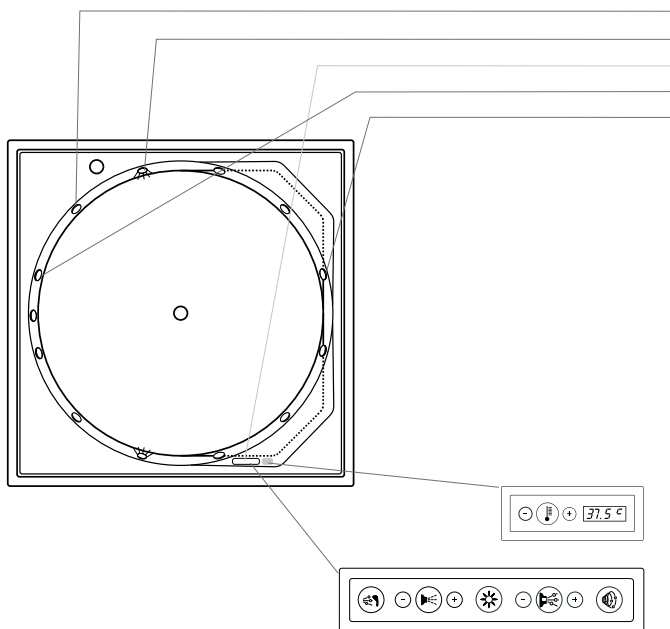
- Coloured Light with remote control for whirltubs (without image)

#### Control panel Combi-System E

The system is operated by pressing the raised symbol on the control panel.

## Whirl-Systems Product Information

### Jet L-System



#### Equipment

- 6 side mounted jets (air + water)
- 2 underwater lights, 50 W
- Control panel Jet L
- 3 adjustable rotating back-massage jets (arranged in different heights)
- 2 adjustable rotating foot-massage jets

#### Additional modules (optional)

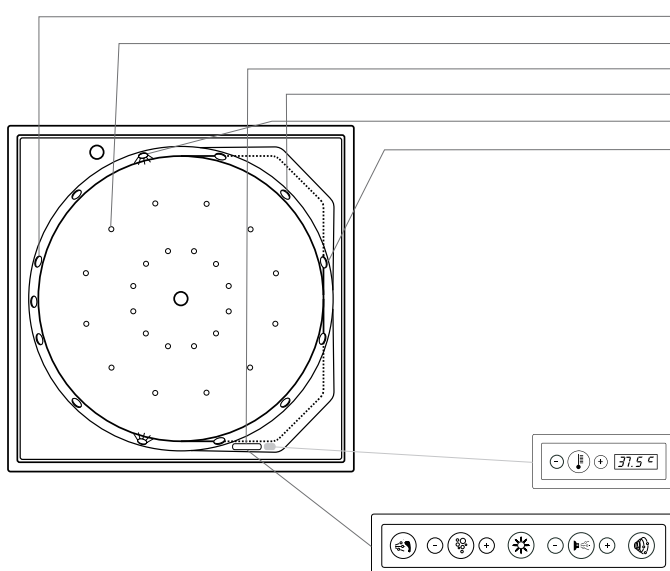
- Coloured Light (instead of underwater light) (without image)
- UV Hygiene Management (without image)
- Temperature L (without image)

#### Control panel Temperature L (optional)

#### Control panel Jet L

The operating symbols are almost invisible at first. By gently pressing the area within the stainless steel frame, the lighting comes on gradually. The functions are controlled via the now visible symbols. Once the whirl action is over, the lighting dims completely.

### Combi-System L



#### Equipment

- 3 adjustable rotating back-massage jets (arranged in different heights)
- 24 jets embedded in the floor (air)
- Control panel Combi-System L
- 6 side mounted jets (air + water)
- 2 underwater lights, 50 W
- 2 adjustable rotating foot-massage jets

#### Additional modules (optional)

- Coloured Light (instead of underwater light) (without image)
- UV Hygiene Management (without image)
- Temperature L (to heat the whirltub to the desired temperature) (without image)

#### Control panel Temperature L (optional)

#### Control panel Combi-System L

The operating symbols are almost invisible at first. By gently pressing the area within the stainless steel frame, the lighting comes on gradually. The functions are controlled via the now visible symbols. Once the whirl action is over, the lighting dims completely.

## Whirl-Systems Product Information

### Whirlsystems and additional modules



#### Air-System

Warm air is injected into the bath by 12 (24 in Blue Moon) jets embedded in the floor of the tub.



#### Jet-System

6 side mounted jets create maximum hydrotherapeutic action with actuated intensity of the massage, freely regulated via an air control regulator which is integrated in the rim of the tub.



#### Back-massage

Water-Air-jet  
3 adjustable rotating jets have a beneficial effect on the back.



#### Foot-massage

Water-Air-jet  
2 adjustable rotating jets are stimulating the reflex zones of the foot.



#### Light

1 (2 in Blue Moon) underwater light, 50 W halogen, creates a cosy atmosphere in the bathroom.



#### Temperature

Electronically controlled thermal system to compensate for loss of temperature during whirl action.



#### Hygiene Management

Electronically controlled cleaning system for the disinfection of the jets and pipes of the whirlsystem.



#### Coloured Light

Light from 5 (10 in Blue Moon) LED-spotlights set into the side walls suffuses the water in alternating, bright colours. A colour in accordance with the atmosphere. Halogen spot is going to be replaced.



#### Coloured Light with remote control for bathtubs and whirltubs

Light from 5 (10 in Blue Moon) LED-spotlights set into the side walls suffuses the bath water in alternating, bright colours. The 6 colours and white light plus 5 coloured lighting programmes can be selected using the remote control. The brightness of the colours can be dimmed. The LED coloured lighting is not available for Combi L.



#### Temperature L

Heating module with blue backlit LCD display and control. This system can be used to adjust the whirltub to the desired temperature.



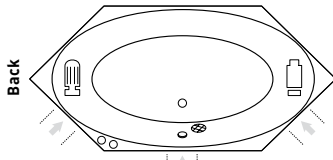
#### UV Hygiene Management

Simple, environmentally-friendly hygiene by means of automatic UV disinfection. Permanent monitoring of operation by optical sensor.

Standard equipment: Full system drainage, cable-driven waste and overflow, chrome, support frame.

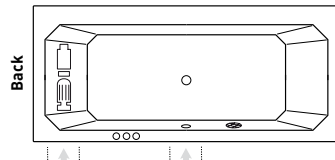
## Whirl-Systems Product Information

### 2 x 3



# 710023, # 710024

### 1930 Series



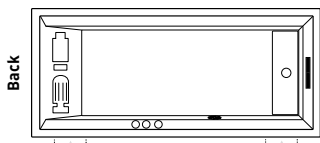
# 710156

### Positioning of the Control panel

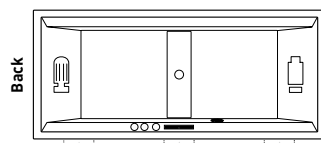
The directions are taken from the perspective of a person bathing. In the standard configuration, the Control panel is always on the right hand side, as are the drain and overflow fittings in 2-seater baths (c.f. Image.).

On request, alternative positioning of the Control panel or aggregates is however possible. Please send us a sketch showing the desired layout. Duravit will check and wherever possible confirm the feasibility.

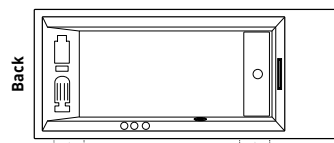
### 2nd floor



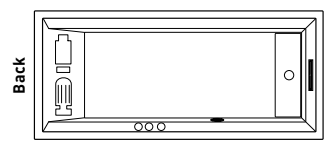
# 710073, # 710074, # 710075



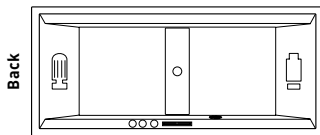
# 710076, # 710160, # 710161



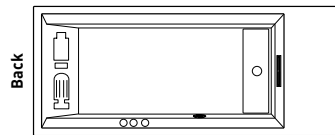
# 710077



# 710078, # 710079, # 710080

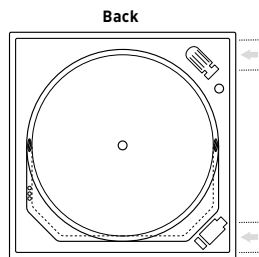


# 710081, # 710162, # 710163

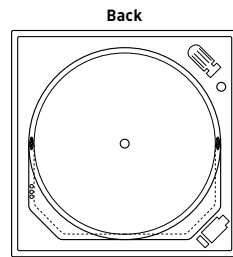


# 710082

### Blue Moon

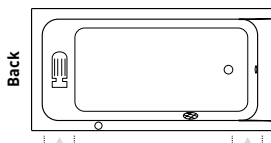


# 710143 Built-in version

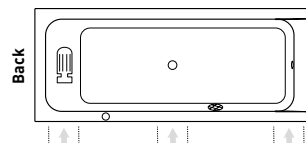


# 710143 with Panel

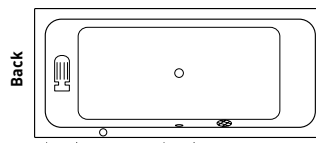
### D-Code



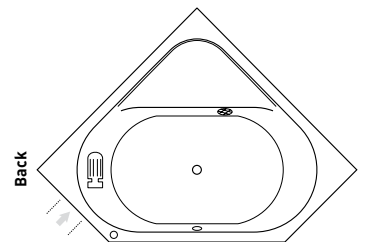
# 740095, # 740096,  
# 740098, # 740100



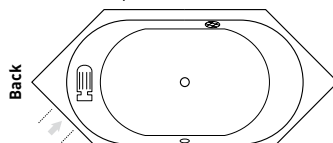
# 740097, # 740099



# 740101



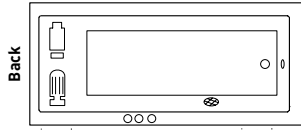
# 740137



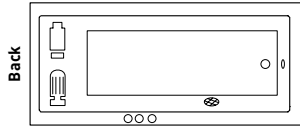
# 740138

## Whirl-Systems Product Information

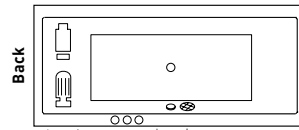
### Daro, Starck X



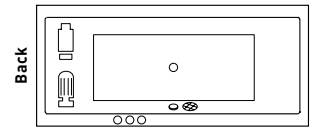
# 710027, # 710141, # 710050



# 710089

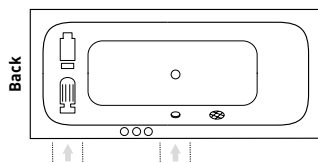


# 710028, # 710052

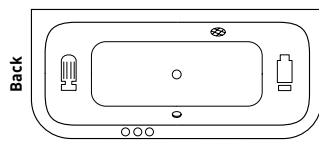


# 710090

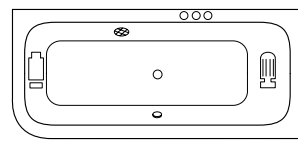
### Happy D.



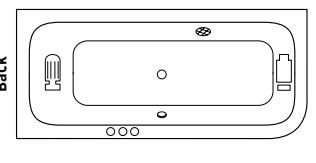
# 710015



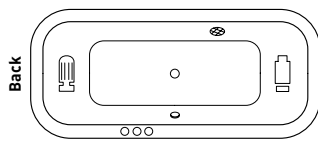
# 710016



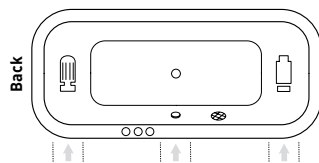
# 710017



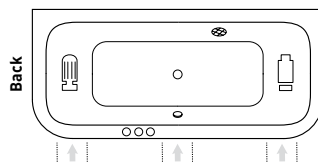
# 710018



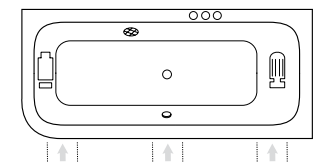
# 71...19



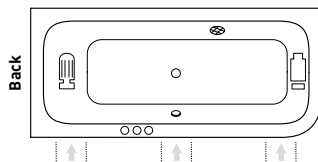
# 710020



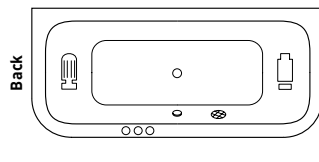
# 710172



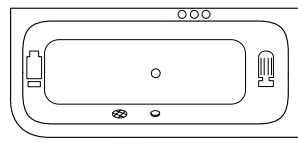
# 710173



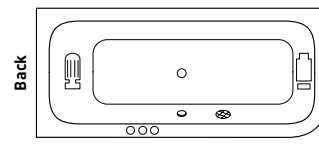
# 710174



# 710178

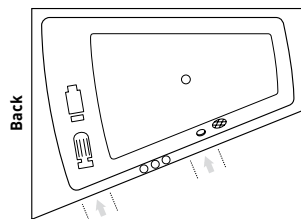


# 710179

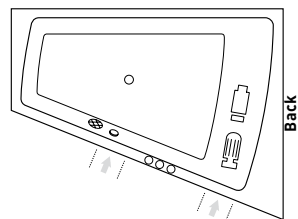


# 710180

### Paiova



# 710035, # 710037  
# 710039, # 710041  
# 710190, # 710191



# 710036, # 710038  
# 710040, # 710042  
# 710191, # 710192

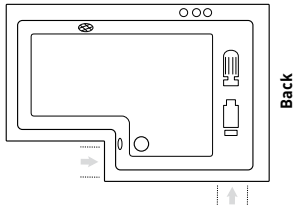
### Installation for Paiova with furniture panelling

Paiova Whirltub with furniture panelling:  
Lower edge of siphon lies 45 mm below upper edge of tiles

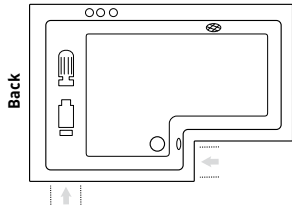


## Whirl-Systems Product Information

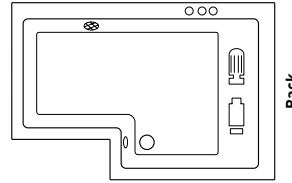
### Seadream



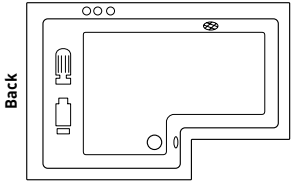
# 710111



# 710112

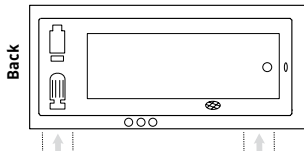


# 710113

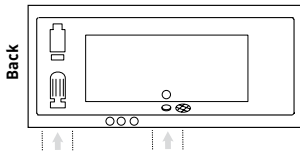


# 710114

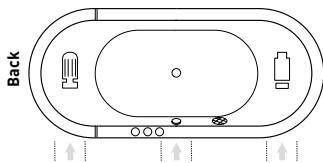
### Starck



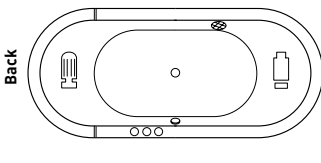
# 710001, # 710002, # 710003,  
# 710117, # 710118, # 700091,  
# 700092



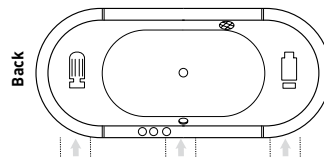
# 710004, # 710031, # 710032,  
# 710119



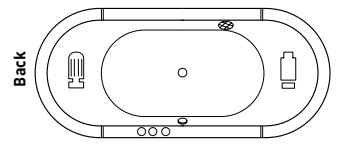
# 710009



# 710010

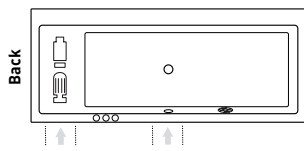


# 710011

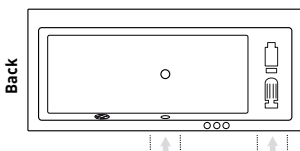


# 710012

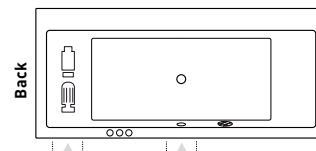
### Vero



# 710133



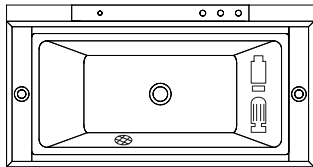
# 710134



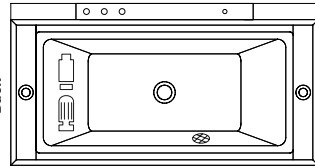
# 710135, # 710136

## Whirl-Systems Product Information

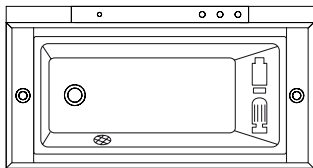
### Sundeck



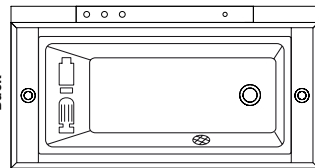
# 710066, # 710128



# 710066, # 710128



# 710127



# 710127

Fig. 1 Freestanding version, corner right, and back-to-wall version

Fig. 2 Corner left

#### Positioning of the Control panel on the pillar:

##### Furniture panelling for freestanding version, corner right and back-to-wall version:

Directions are as seen from the perspective of a person in the tub. In the standard configuration, the right hand always operates the Control panel (see Fig. 1).

Custom version on request. In this case, a sketch showing the desired layout is required. Duravit will check and confirm whether the desired location is possible.

##### Furniture panel for corner left:

Directions are as seen from the perspective of a person in the tub. In the standard configuration, the left hand always operates the Control panel (see Fig. 2).

Custom version on request. In this case, a sketch showing the desired layout is required. Duravit will check and confirm whether the desired location is possible.

#### Number of control panels on the pillar:

The number of control panels is determined by the system and the additional modules selected.

### Legend



Whirl-Pump



Blower



Control panel



Suction Screen



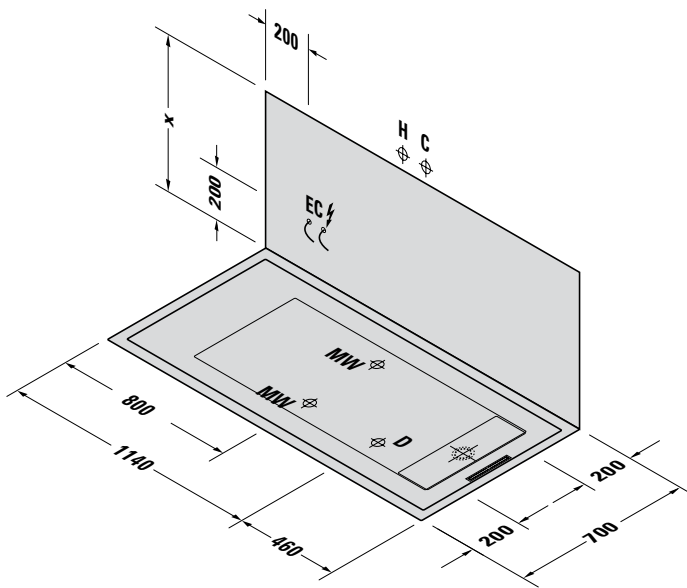
necessary equipment covers

Please note that in case of combining tubs and whirlsystems, single components may reach over the rim of the tub. Therefore, we suggest installation into a bathtub case.

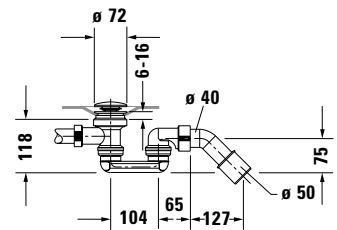
## Pre-installation 2nd floor # 700083/710073

↳ 1600 x 700 x 430 ‹

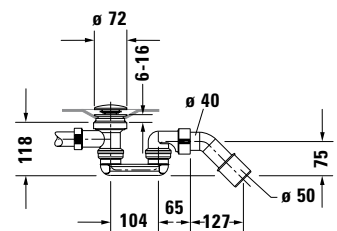
Design by Sieger Design



- H** Hot water connection
- C** Cold water connection
- D** Drain connection
- MW** Mixed water connection  
for Flood spout (optional) -  
left or right
- EC** ⚡ Electricity connection



Siphon for bathtub # 700083



Siphon for whirltub # 710073

	Height	including support frame	including support	including furniture panel	including acrylic panel
<b>X</b> Bathtub	475	595 - 665	590	-	-
<b>X</b> Whirltub	-	595 - 630	-	-	-

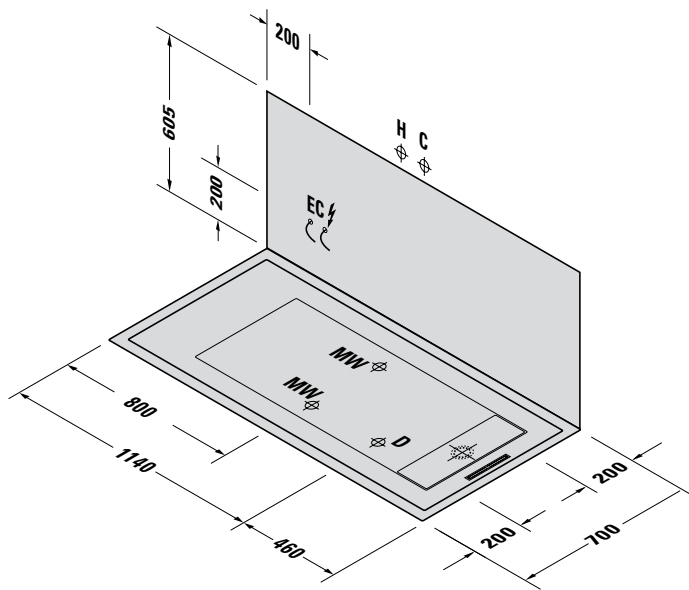
### Technical specifications

Net weight kg	Floor load kg/m <sup>2</sup>	Shipping weight kg	Shipping dimensions l x w x h (cm)	Water inlet OD, ID	Whirlsystem	Model-No.
30,0	237	45,0	120 x 80 x 175	1/2"		<b>700083 . . 0 00 0000</b>
54,0 - 63,0	258 - 266	96,0 - 105,0	202 x 105 x 86	1/2"	Jet E	<b>710073 . . 6 . . 1000</b>
57,0 - 66,0	261 - 269	99,0 - 108,0	202 x 105 x 86	1/2"	Combi-System E	<b>710073 . . 4 . . 1000</b>
60,0 - 65,0	263 - 268	102,0 - 107,0	202 x 105 x 86	1/2"	Jet L	<b>710073 . . 7 . . 1000</b>
64,0 - 69,0	267 - 271	106,0 - 111,0	202 x 105 x 86	1/2"	Combi-System L	<b>710073 . . 5 . . 1000</b>

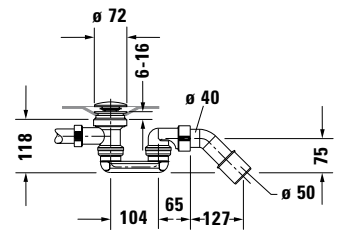
## Pre-installation 2nd floor # 700078/710078

✦ 1600 x 700 x 430 ✧

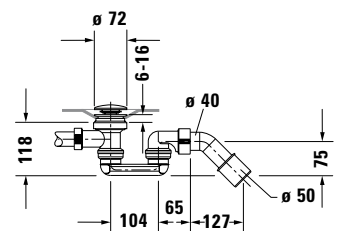
Design by Sieger Design



- H** Hot water connection
- C** Cold water connection
- D** Drain connection
- MW** Mixed water connection  
for Flood spout (optional) –  
left or right
- EC** Electricity connection



Siphon for bathtub # 700078



Siphon for whirltub # 710078

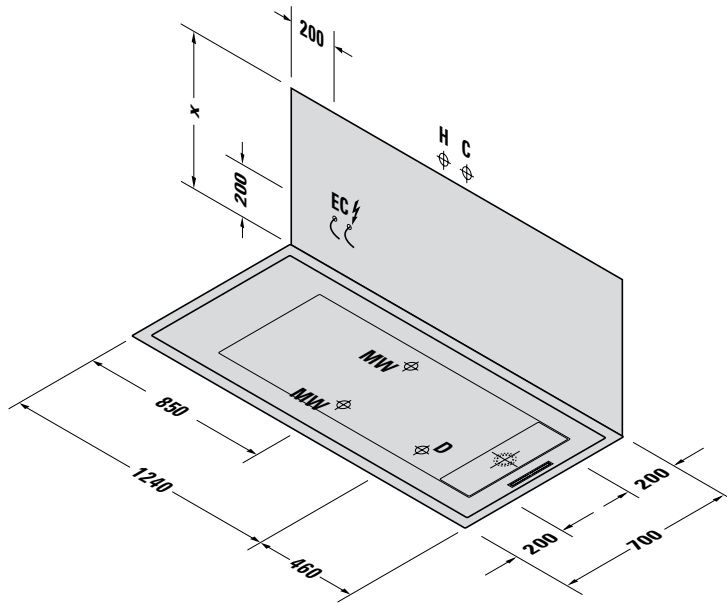
### Technical specifications

Net weight kg	Floor load kg/m <sup>2</sup>	Shipping weight kg	Shipping dimensions (l x w x h (cm))	Water inlet OD, ID	Whirlsystem	Model-No.
41,9	247	83,9	202 x 105 x 86	1/2"		700078 .. 0 00 0000
68,0 - 77,0	271 - 279	110,0 - 119,0	202 x 105 x 86	1/2"	Jet E	710078 .. 6 .. 1000
71,0 - 80,0	273 - 281	113,0 - 122,0	202 x 105 x 86	1/2"	Combi-System E	710078 .. 4 .. 1000
74,0 - 79,0	276 - 280	116,0 - 121,0	202 x 105 x 86	1/2"	Jet L	710078 .. 7 .. 1000
78,0 - 83,0	279 - 284	120,0 - 125,0	202 x 105 x 86	1/2"	Combi-System L	710078 .. 5 .. 1000

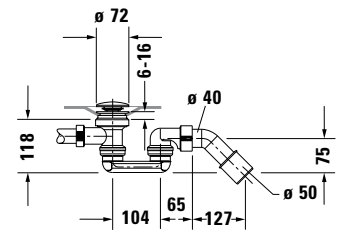
## Pre-installation 2nd floor # 700084/710074

✦ 1700 x 700 x 430 ✧

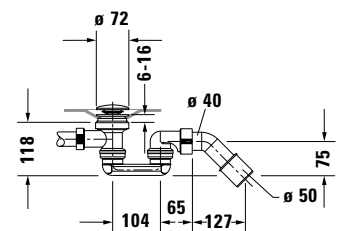
Design by Sieger Design



- H** Hot water connection
- C** Cold water connection
- D** Drain connection
- MW** Mixed water connection for Flood spout (optional) – left or right
- EC** Electricity connection



Siphon for bathtub # 700084



Siphon for whirltub # 710074

	Height	including support frame	including support	including furniture panel	including acrylic panel
<b>X</b> Bathtub	475	595 - 665	590	-	-
<b>X</b> Whirltub	-	595 - 630	-	-	-

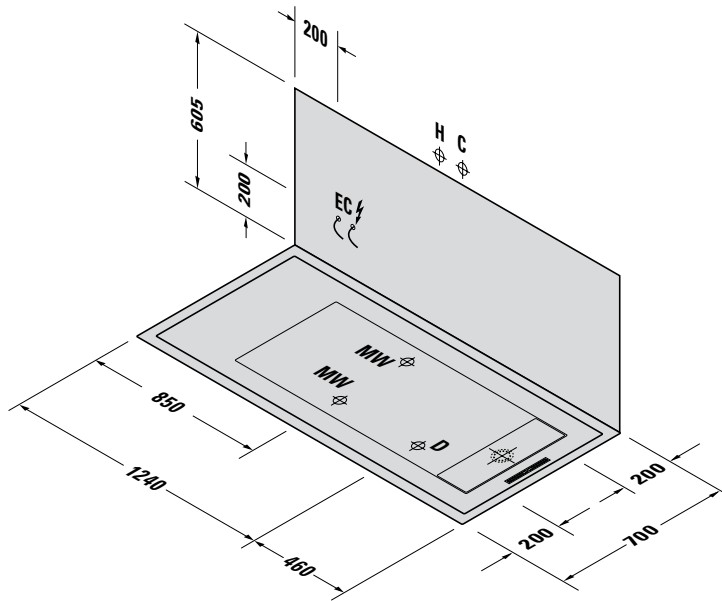
### Technical specifications

Net weight kg	Floor load kg/m <sup>2</sup>	Shipping weight kg	Shipping dimensions l x w x h (cm)	Water inlet OD, ID	Whirlsystem	Model-No.
30,0	235	45,0	120 x 80 x 185	1/2"		<b>700084 . . 0 00 0000</b>
54,0 - 63,0	255 - 263	96,0 - 105,0	202 x 105 x 86	1/2"	Jet E	<b>710074 . . 6 . . 1000</b>
57,0 - 66,0	258 - 266	99,0 - 108,0	202 x 105 x 86	1/2"	Combi-System E	<b>710074 . . 4 . . 1000</b>
60,0 - 65,0	261 - 265	102,0 - 107,0	202 x 105 x 86	1/2"	Jet L	<b>710074 . . 7 . . 1000</b>
64,0 - 69,0	264 - 268	106,0 - 111,0	202 x 105 x 86	1/2"	Combi-System L	<b>710074 . . 5 . . 1000</b>

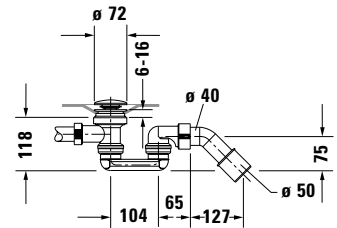
## Pre-installation 2nd floor # 700079/710079

✦ 1700 x 700 x 430 ✧

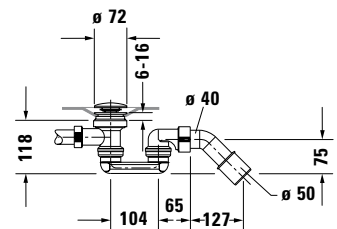
Design by Sieger Design



- H** Hot water connection
- C** Cold water connection
- D** Drain connection
- MW** Mixed water connection  
for Flood spout (optional) -  
left or right
- EC** Electricity connection



Siphon for bathtub # 700079



Siphon for whirltub # 710079

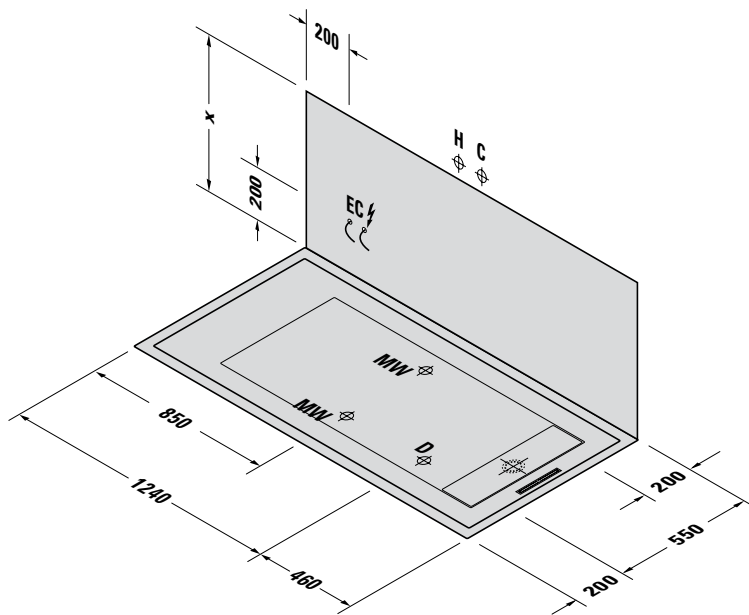
### Technical specifications

Net weight kg	Floor load kg/m <sup>2</sup>	Shipping weight kg	Shipping dimensions (l x w x h (cm))	Water inlet OD, ID	Whirlsystem	Model-No.
42,3	246	84,3	202 x 105 x 86	1/2"		<b>700079 . . 0 00 0000</b>
68,0 - 77,0	267 - 275	110,0 - 119,0	202 x 105 x 86	1/2"	Jet E	<b>710079 . . 6 . . 1000</b>
72,0 - 81,0	271 - 278	114,0 - 123,0	202 x 105 x 86	1/2"	Combi-System E	<b>710079 . . 4 . . 1000</b>
75,0 - 80,0	273 - 277	117,0 - 122,0	202 x 105 x 86	1/2"	Jet L	<b>710079 . . 7 . . 1000</b>
78,0 - 83,0	276 - 280	120,0 - 125,0	202 x 105 x 86	1/2"	Combi-System L	<b>710079 . . 5 . . 1000</b>

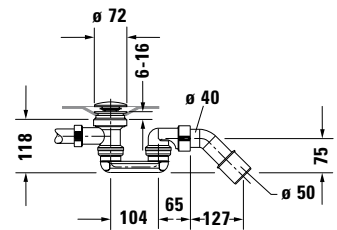
## Pre-installation 2nd floor # 700085/710075

✦ 1700 x 750 x 430 ✧

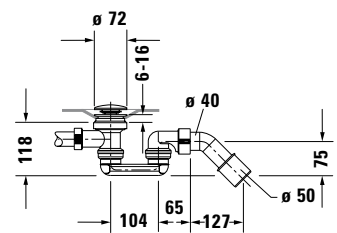
Design by Sieger Design



- H** Hot water connection
- C** Cold water connection
- D** Drain connection
- MW** Mixed water connection  
for Flood spout (optional) -  
left or right
- EC** Electricity connection



Siphon for bathtub # 700085



Siphon for whirltub # 710075

	Height	including support frame	including support	including furniture panel	including acrylic panel
<b>X</b> Bathtub	475	595 - 665	590	-	-
<b>X</b> Whirltub	-	595 - 630	-	-	-

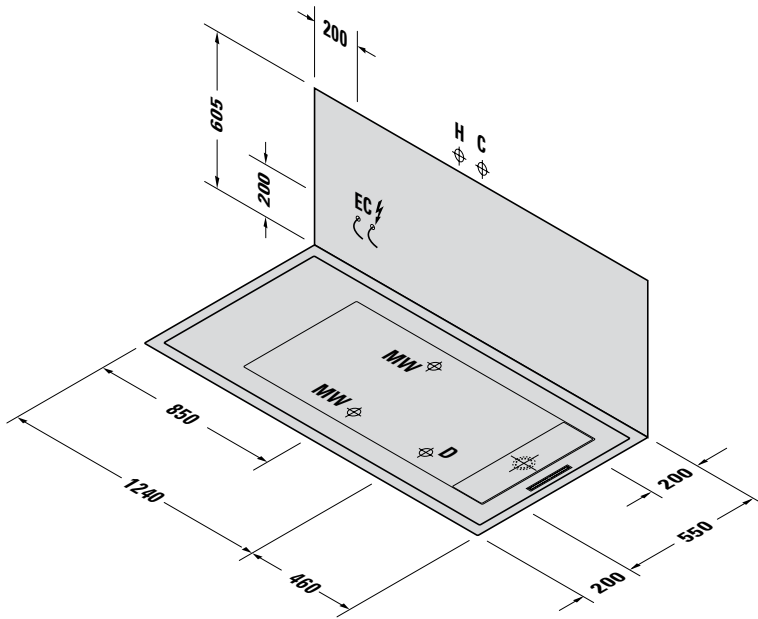
### Technical specifications

Net weight kg	Floor load kg/m <sup>2</sup>	Shipping weight kg	Shipping dimensions l x w x h (cm)	Water inlet OD, ID	Whirlsystem	Model-No.
35,0	235	50,0	120 x 80 x 185	1/2"		<b>700085 .. 0 00 0000</b>
59,0 - 68,0	254-261	101,0 - 110,0	202 x 105 x 86	1/2"	Jet E	<b>710075 .. 6 .. 1000</b>
62,0 - 71,0	256 - 264	104,0 - 113,0	202 x 105 x 86	1/2"	Combi-System E	<b>710075 .. 4 .. 1000</b>
65,0 - 70,0	259-263	107,0 - 112,0	202 x 105 x 86	1/2"	Jet L	<b>710075 .. 7 .. 1000</b>
69,0 - 74,0	262 - 266	111,0 - 116,0	202 x 105 x 86	1/2"	Combi-System L	<b>710075 .. 5 .. 1000</b>

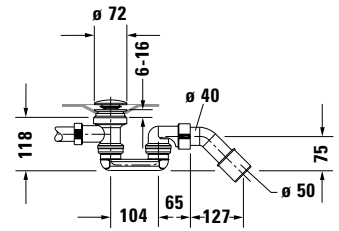
## Pre-installation 2nd floor # 700080/710080

✦ 1700 x 750 x 430 ✧

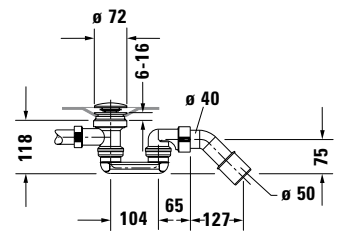
Design by Sieger Design



- H** Hot water connection
- C** Cold water connection
- D** Drain connection
- MW** Mixed water connection  
for Flood spout (optional) -  
left or right
- EC** Electricity connection



Siphon for bathtub # 700080



Siphon for whirltub # 710080

### Technical specifications

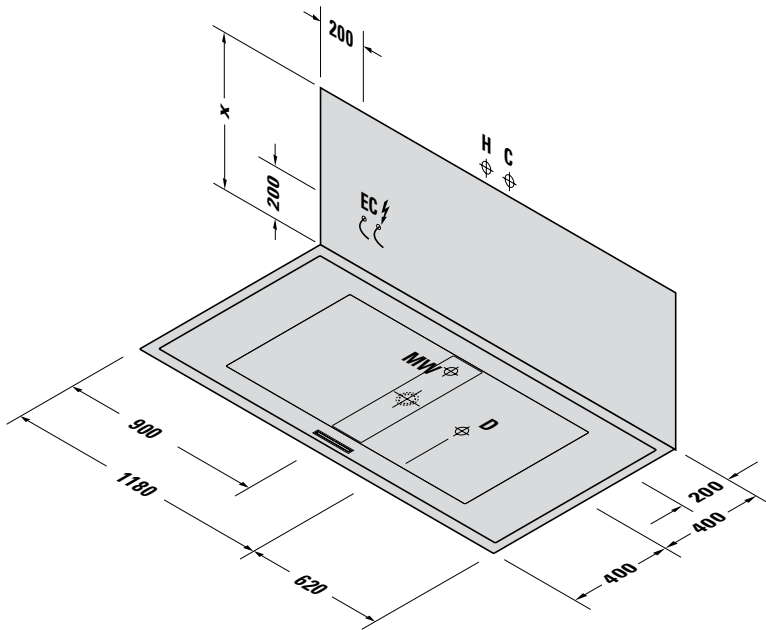
Net weight kg	Floor load kg/m <sup>2</sup>	Shipping weight kg	Shipping dimensions (l x w x h (cm))	Water inlet OD, ID	Whirlsystem	Model-No.
47,4	245	89,4	202 x 105 x 86	1/2"		700080 .. 0 00 0000
73,0 - 82,0	265 - 272	115,0 - 124,0	202 x 105 x 86	1/2"	Jet E	710080 .. 6 .. 1000
77,0 - 86,0	268 - 275	119,0 - 128,0	202 x 105 x 86	1/2"	Combi-System E	710080 .. 4 .. 1000
80,0 - 85,0	271 - 275	122,0 - 127,0	202 x 105 x 86	1/2"	Jet L	710080 .. 7 .. 1000
83,0 - 88,0	273 - 277	125,0 - 130,0	202 x 105 x 86	1/2"	Combi-System L	710080 .. 5 .. 1000



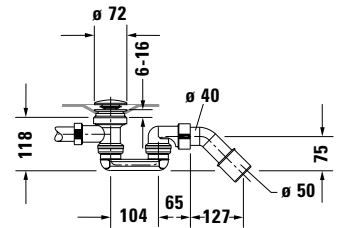
## Pre-installation 2nd floor # 700086/710076

✦ 1800 x 800 x 430 ✧

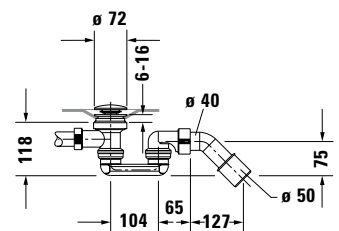
Design by Sieger Design



- H Hot water connection
- C Cold water connection
- D Drain connection
- MW Mixed water connection  
for Flood spout (optional) – left
- EC ⚡ Electricity connection



Siphon for bathtub # 700086



Siphon for whirltub # 710076

	Height	including support frame	including support	including furniture panel	including acrylic panel
X Bathtub	475	595 - 665	590	-	-
X Whirltub	-	595 - 630	-	-	-

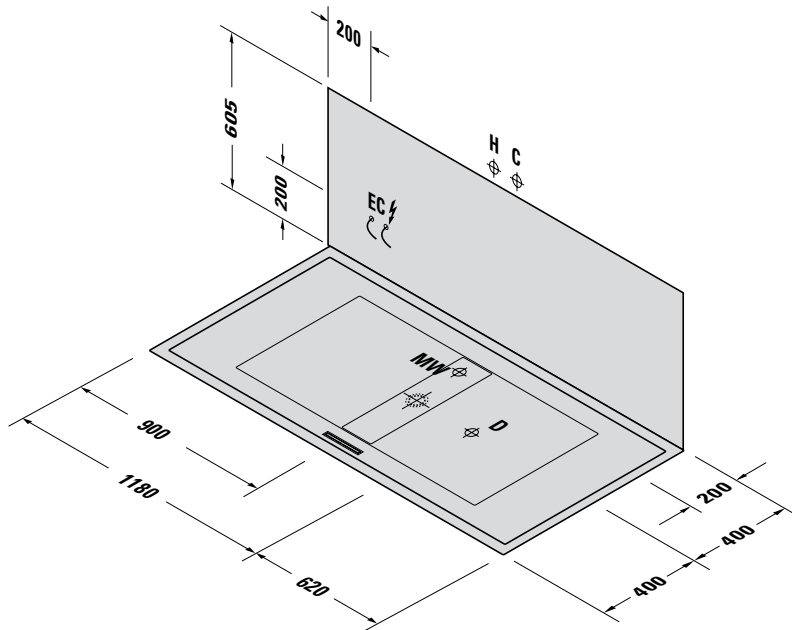
### Technical specifications

Net weight kg	Floor load kg/m <sup>2</sup>	Shipping weight kg	Shipping dimensions l x w x h (cm)	Water inlet OD, ID	Whirlsystem	Model-No.
36,0	233	51,0	120 x 80 x 195	1/2"		700086 .. 0 00 0000
60,0 - 69,0	250 - 256	102,0 - 111,0	202 x 105 x 86	1/2"	Jet E	710076 .. 6 .. 1000
63,0 - 72,0	252 - 258	105,0 - 114,0	202 x 105 x 86	1/2"	Combi-System E	710076 .. 4 .. 1000
66,0 - 71,0	254 - 258	108,0 - 113,0	202 x 105 x 86	1/2"	Jet L	710076 .. 7 .. 1000
70,0 - 75,0	257 - 260	112,0 - 117,0	202 x 105 x 86	1/2"	Combi-System L	710076 .. 5 .. 1000

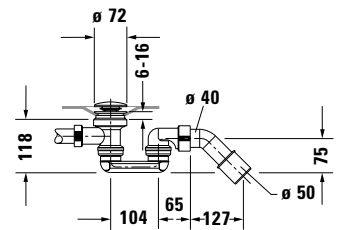
## Pre-installation 2nd floor # 700081/710081

✦ 1800 x 800 x 430 ✧

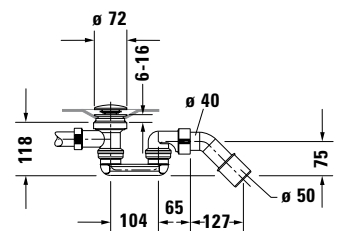
Design by Sieger Design



- H Hot water connection
- C Cold water connection
- D Drain connection
- MW Mixed water connection  
for Flood spout (optional) – left
- EC Electricity connection



Siphon for bathtub # 700081



Siphon for whirltub # 710081

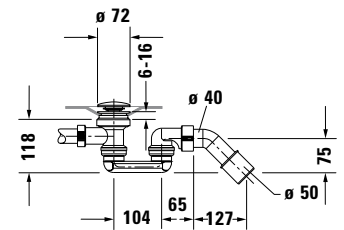
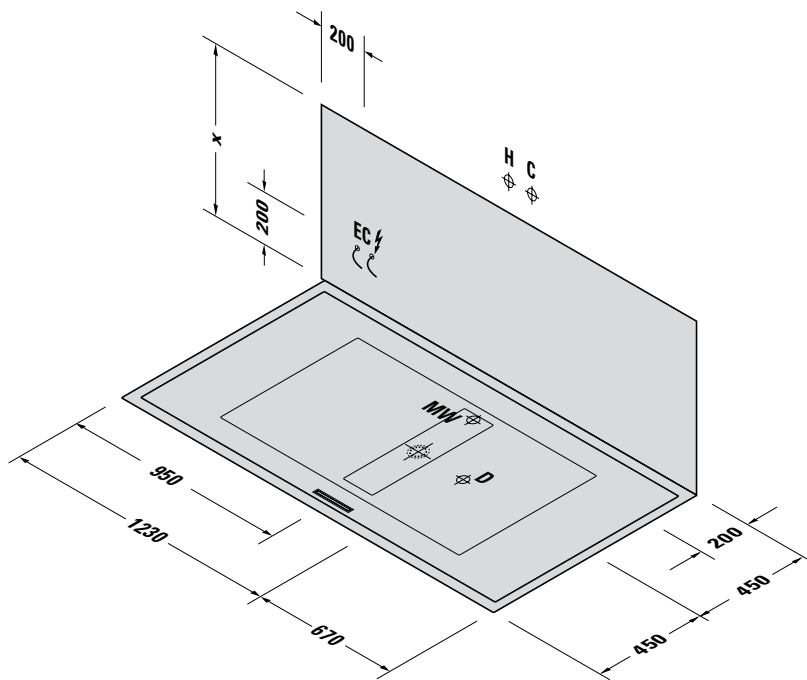
### Technical specifications

Net weight kg	Floor load kg/m <sup>2</sup>	Shipping weight kg	Shipping dimensions l x w x h (cm)	Water inlet OD, ID	Whirlsystem	Model-No.
48,1	242	90,1	202 x 105 x 86	1/2"		700081 .. 0 00 0000
74,0 - 83,0	260 - 266	116,0 - 125,0	202 x 105 x 86	1/2"	Jet E	710081 .. 6 .. 1000
78,0 - 87,0	263 - 269	120,0 - 129,0	202 x 105 x 86	1/2"	Combi-System E	710081 .. 4 .. 1000
81,0 - 86,0	265 - 268	123,0 - 128,0	202 x 105 x 86	1/2"	Jet L	710081 .. 7 .. 1000
84,0 - 89,0	267 - 270	126,0 - 131,0	202 x 105 x 86	1/2"	Combi-System L	710081 .. 5 .. 1000

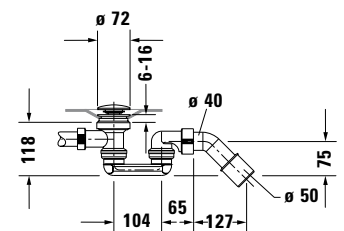
## Pre-installation 2nd floor # 700164/710160

✦ 1900 x 900 x 430 ✧

Design by Sieger Design



Siphon for bathtub # 700160



Siphon for whirltub # 710160

- H Hot water connection
- C Cold water connection
- D Drain connection
- MW Mixed water connection  
for Flood spout (optional) – left
- EC ⚡ Electricity connection

	Height	including support frame	including support	including furniture panel	including acrylic panel
X Bathtub	475	595 - 665	590	-	-
X Whirltub	-	595 - 630	-	-	-

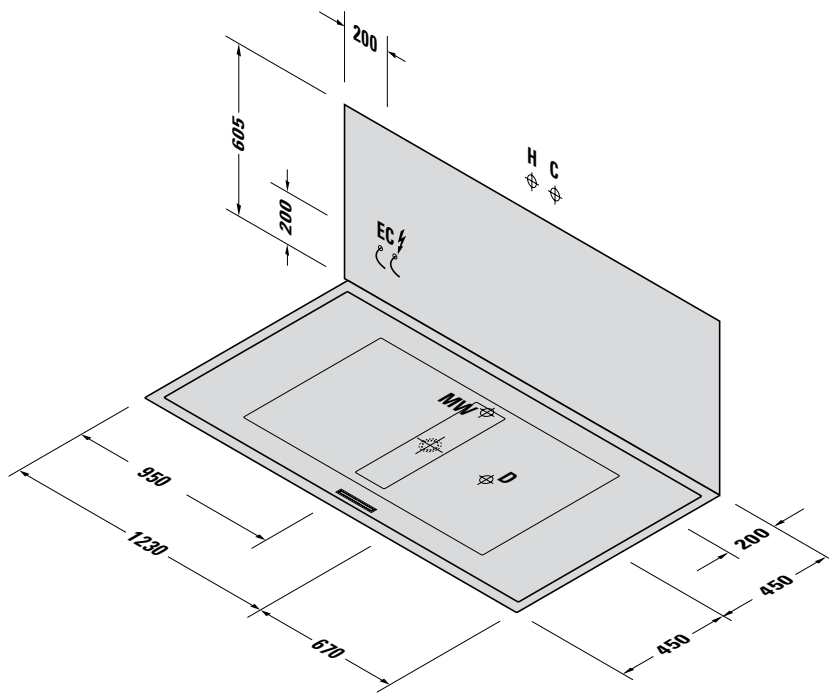
### Technical specifications

Net weight kg	Floor load kg/m <sup>2</sup>	Shipping weight kg	Shipping dimensions l x w x h (cm)	Water inlet OD, ID	Whirlsystem	Model-No.
40,0	222	55,0	120 x 80 x 205	1/2"		700164 .. 0 00 0000
66,0 - 75,0	237 - 243	108,0 - 117,0	202 x 105 x 86	1/2"	Jet E	710160 .. 6 .. 1000
69,0 - 78,0	239 - 244	111,0 - 120,0	202 x 105 x 86	1/2"	Combi-System E	710160 .. 4 .. 1000
72,0 - 77,0	241 - 244	114,0 - 119,0	202 x 105 x 86	1/2"	Jet L	710160 .. 7 .. 1000
76,0 - 81,0	243 - 246	118,0 - 123,0	202 x 105 x 86	1/2"	Combi-System L	710160 .. 5 .. 1000

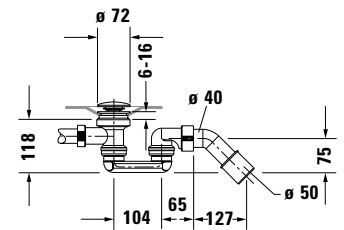
## Pre-installation 2nd floor # 700162/710162

✦ 1900 x 900 x 430 ✧

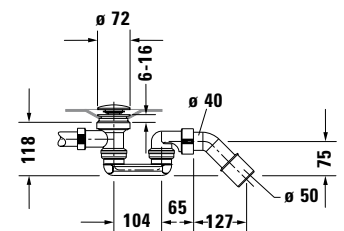
Design by Sieger Design



- H Hot water connection
- C Cold water connection
- D Drain connection
- MW Mixed water connection  
for Flood spout (optional) – left
- EC ⚡ Electricity connection



Siphon for bathtub # 700162



Siphon for whirltub # 710162

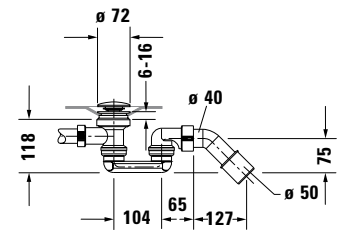
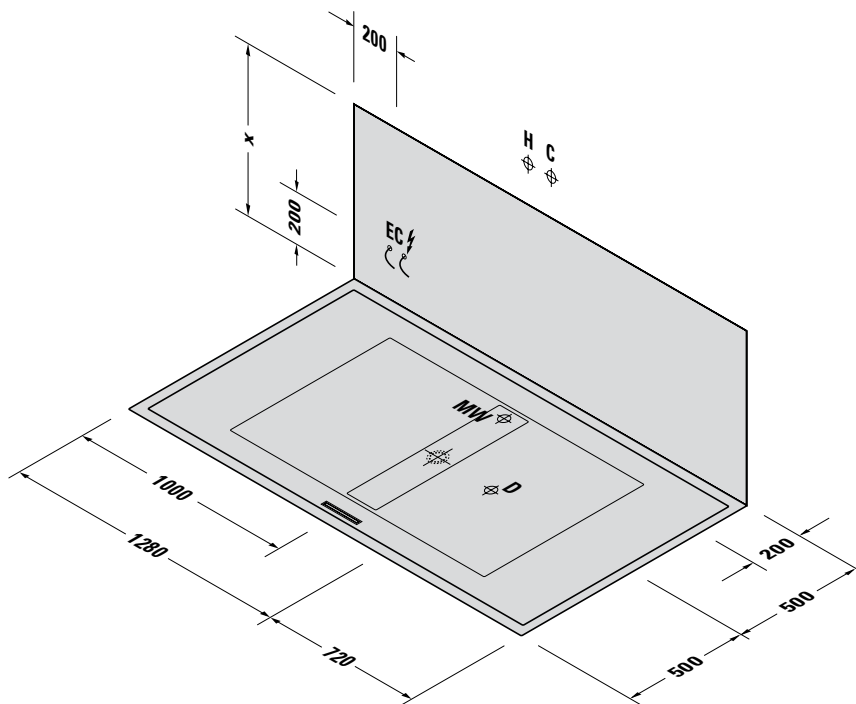
### Technical specifications

Net weight kg	Floor load kg/m <sup>2</sup>	Shipping weight kg	Shipping dimensions (l x w x h (cm))	Water inlet OD, ID	Whirlsystem	Model-No.
53,5	230	95,5	202 x 105 x 86	1/2"		700162 . . 0 00 0000
79,0 - 88,0	245 - 250	121,0 - 130,0	202 x 105 x 86	1/2"	Jet E	710162 . . 6 . . 1000
83,0 - 92,0	247 - 253	125,0 - 134,0	202 x 105 x 86	1/2"	Combi-System E	710162 . . 4 . . 1000
74,0 - 79,0	227 - 230	116,0 - 121,0	202 x 105 x 86	1/2"	Jet L	710162 . . 7 . . 1000
86,0 - 91,0	249 - 252	128,0 - 133,0	202 x 105 x 86	1/2"	Combi-System L	710162 . . 5 . . 1000

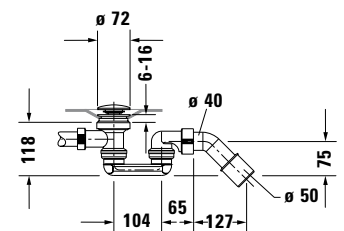
## Pre-installation 2nd floor # 700165/710161

↳ 2000 x 1000 x 430 ‹

Design by Sieger Design



Siphon for bathtub # 700161



Siphon for whirltub # 710161

- H Hot water connection
- C Cold water connection
- D Drain connection
- MW Mixed water connection  
for Flood spout (optional) - left
- EC ⚡ Electricity connection

	Height	including support frame	including support	including furniture panel	including acrylic panel
X Bathtub	475	595 - 665	590	-	-
X Whirltub	-	595 - 630	-	-	-

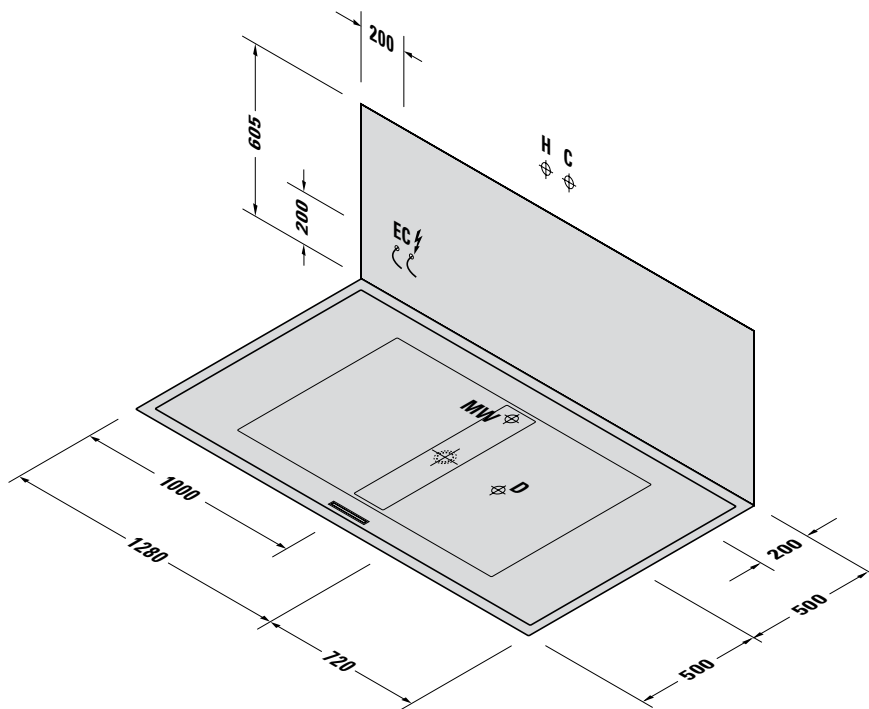
### Technical specifications

Net weight kg	Floor load kg/m <sup>2</sup>	Shipping weight kg	Shipping dimensions l x w x h (cm)	Water inlet OD, ID	Whirlsystem	Model-No.
42,0	211	57,0	120 x 80 x 215	1/2"		700165 . . 0 00 0000
68,0 - 77,0	224 - 229	110,0 - 119,0	202 x 105 x 86	1/2"	Jet E	710161 . . 6 . . 1000
71,0 - 80,0	226 - 230	113,0 - 122,0	202 x 105 x 86	1/2"	Combi-System E	710161 . . 4 . . 1000
74,0 - 79,0	227 - 230	116,0 - 121,0	202 x 105 x 86	1/2"	Jet L	710161 . . 7 . . 1000
78,0 - 83,0	229 - 232	120,0 - 125,0	202 x 105 x 86	1/2"	Combi-System L	710161 . . 5 . . 1000

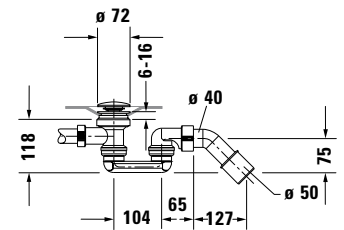
## Pre-installation 2nd floor # 700163/710163

↳ 2000 x 1000 x 430 ‹

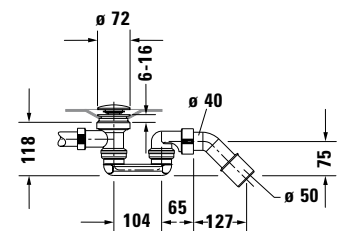
Design by Sieger Design



- H Hot water connection
- C Cold water connection
- D Drain connection
- MW Mixed water connection  
for Flood spout (optional) - left
- EC Electricity connection



Siphon for bathtub # 700163



Siphon for whirltub # 710163

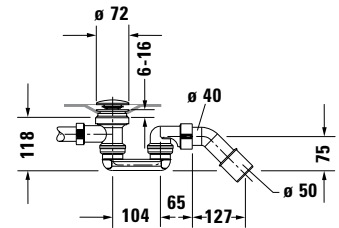
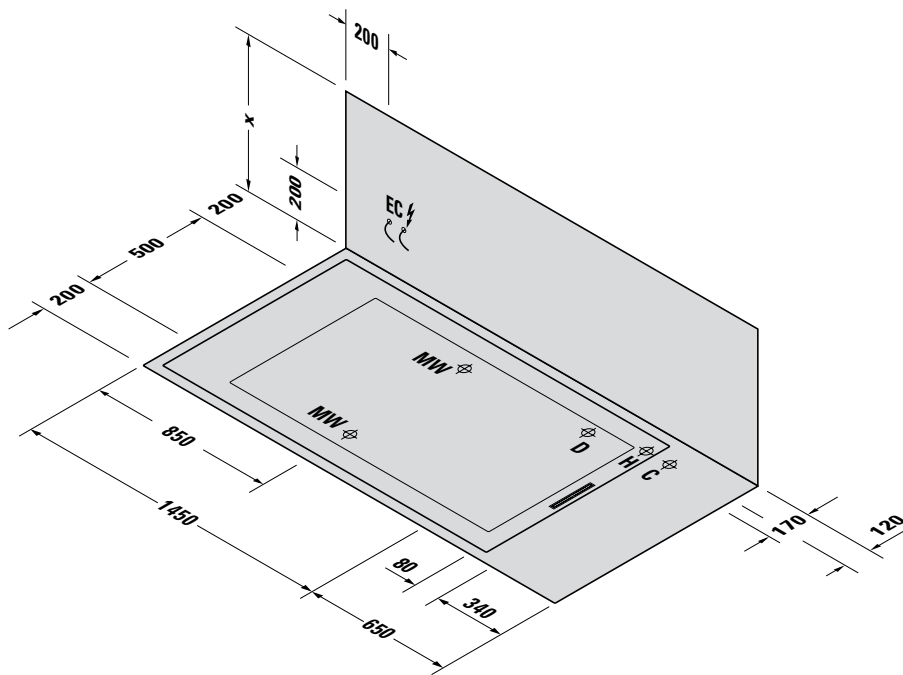
### Technical specifications

Net weight kg	Floor load kg/m <sup>2</sup>	Shipping weight kg	Shipping dimensions (l x w x h (cm))	Water inlet OD, ID	Whirlsystem	Model-No.
56,5	218	98,5	202 x 105 x 86	1/2"		700163 . . 0 00 0000
82,0 - 91,0	231 - 236	124,0 - 133,0	202 x 105 x 86	1/2"	Jet E	710163 . . 6 . . 1000
86,0 - 95,0	233 - 238	128,0 - 137,0	202 x 105 x 86	1/2"	Combi-System E	710163 . . 4 . . 1000
89,0 - 94,0	235 - 237	131,0 - 136,0	202 x 105 x 86	1/2"	Jet L	710163 . . 7 . . 1000
92,0 - 97,0	236 - 239	134,0 - 139,0	202 x 105 x 86	1/2"	Combi-System L	710163 . . 5 . . 1000

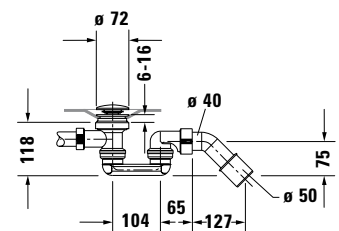
## Pre-installation 2nd floor # 700087/710077

✂ 2100 x 900 x 430 ✂

Design by Sieger Design



Siphon for bathtub # 700087



Siphon for whirltub # 710077

- H** Hot water connection
- C** Cold water connection
- D** Drain connection
- MW** Mixed water connection  
for Flood spout (optional) –  
left or right
- EC** ⚡ Electricity connection

	Height	including support frame	including support	including furniture panel	including acrylic panel
<b>X</b> Bathtub	475	595 - 665	590	-	-
<b>X</b> Whirltub	-	595 - 630	-	-	-

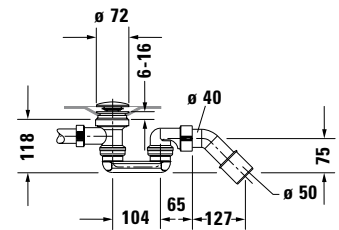
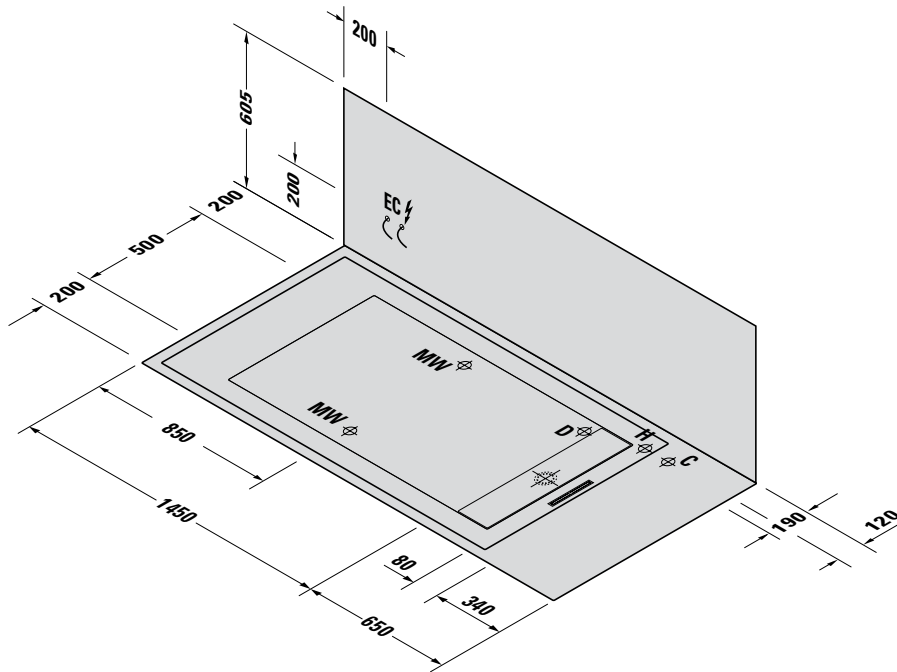
### Technical specifications

Net weight kg	Floor load kg/m <sup>2</sup>	Shipping weight kg	Shipping dimensions l x w x h (cm)	Water inlet OD, ID	Whirlsystem	Model-No.
54,0	203	69,0	120 x 80 x 225	1/2"		<b>700087 . . 0 00 0000</b>
78,0 - 87,0	216 - 221	118,0 - 127,0	228 x 109 x 78	1/2"	Jet E	<b>710077 . . 6 . . 1000</b>
81,0 - 90,0	217 - 222	121,0 - 130,0	228 x 109 x 78	1/2"	Combi-System E	<b>710077 . . 4 . . 1000</b>
84,0 - 89,0	219 - 222	124,0 - 129,0	228 x 109 x 78	1/2"	Jet L	<b>710077 . . 7 . . 1000</b>
88,0 - 93,0	221 - 224	128,0 - 133,0	228 x 109 x 78	1/2"	Combi-System L	<b>710077 . . 5 . . 1000</b>

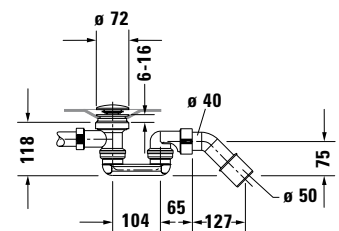
## Pre-installation 2nd floor # 700082/710082

✂ 2100 x 900 x 430 ✂

Design by Sieger Design



Siphon for bathtub # 700082



Siphon for whirltub # 710082

- H Hot water connection
- C Cold water connection
- D Drain connection
- MW Mixed water connection  
for Flood spout (optional) –  
left or right
- EC ⚡ Electricity connection

### Technical specifications

Net weight kg	Floor load kg/m <sup>2</sup>	Shipping weight kg	Shipping dimensions (l x w x h (cm))	Water inlet OD, ID	Whirlsystem	Model-No.
72,7	213	112,7	228 x 109 x 78	1/2"		700082 .. 0 00 0000
99,0 - 108,0	227 - 232	139,0 - 148,0	228 x 109 x 78	1/2"	Jet E	710082 .. 6 .. 1000
102,0 - 111,0	229 - 233	142,0 - 151,0	228 x 109 x 78	1/2"	Combi-System E	710082 .. 4 .. 1000
105,0 - 110,0	230 - 233	145,0 - 150,0	228 x 109 x 78	1/2"	Jet L	710082 .. 7 .. 1000
109,0 - 114,0	232 - 235	149,0 - 154,0	228 x 109 x 78	1/2"	Combi-System L	710082 .. 5 .. 1000