

Important planning information for bathtubs and whirltubs

Place of installation

- Check the width of the doors to ensure that the bathtub will fit through and into the bathroom.
- There must be no floor heating below the bathtub.
- The floor must be absolutely flat and horizontal.
- Install **bathtubs with panelling** after tiling.
- Install **bathtubs without panelling** either before or after tiling.
- **Whirltubs:** depending on the combination of bathtub and whirl-system, system components might protrude beyond the rim of the bathtub. This is why we recommend installation in a bathtub casing.
- **Tolerances with acrylic:** as a result of the manufacturing process, deviations from the specified nominal dimensions are possible within the scope of the tolerances as per DIN 198. Please take this into account during planning.

Inspection openings and ventilation grates

Tiling the bath

- Provision must be made for the following inspection openings:
 - Outlet and overflow fitting 200 x 200 mm
 - Aggregates 500 x 500 mm
 - For the position, see chapter "Whirl systems product information".
- Whirl tub or bathtub with coloured light: for the air supply, allow an opening with an area of approx. 15 cm² (e.g. 3 x 5 cm or 2 x 7.5 cm) in the panel.

Bathtub with Duravit panelling

- It must be possible to remove the panelling for inspection purposes. For this reason, allow a certain amount of space in front of the panelling.
- For the air supply, an opening is pre-installed in the panelling; this must not be covered.

Water connection

The water may only be connected by a qualified plumber. Country-specific standards and local regulations must be observed in full.

Water connection

- Connect the inlet and outlet according to current standards and local regulations.
- Ensure that the connecting sleeve is flush with the floor.

Electrical installation for bathtubs with coloured light and whirltubs

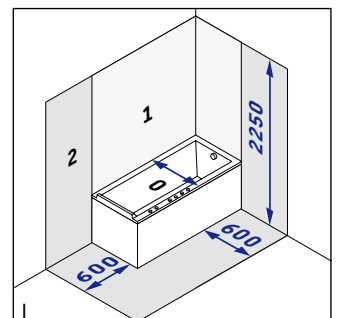
The electricity may only be connected by a qualified electrician. Country-specific standards, local regulations and low-voltage guidelines must be observed in full.

Electrical connection

Electrical data

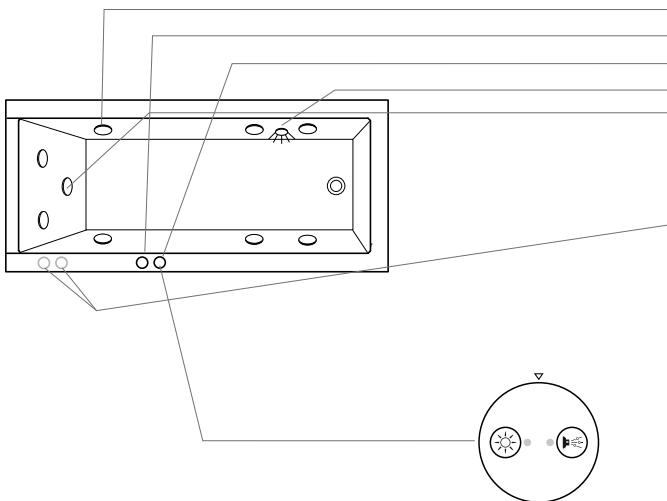
Whirlsystem	Max. rated power without heating	Max. rated power with heating	Frequency Voltage
Air	1,08 kW	-	50 Hz: 230 V~AC 60 Hz: 220 V~AC
Jet	0,74 kW	-	
Combi P	2,19 kW	-	
Combi E	2,74 kW	3,50 kW	
Combi L	2,38 kW	5,34 kW	
Jet E	1,69 kW	2,69 kW	
Jet L	1,36 kW	4,36 kW	

- Potential equalisation installed, 3000 mm
- Install supply line in acc. with the following requirements (two supply lines for combi system L with temperature module):
 - Fuse protection $I_N = 16A$,
RCD max. 30mA
 - Switched via all-pole disconnecting mains switch, outside zones 0, 1 and 2 (see Fig. I)
 - Cable length 3000 mm



Whirl-Systems Product Information

Jet E System



Equipment

- 6 side mounted jets (air + water)
- Control panel Jet E
- Air control regulator Jet-System
- 1 underwater light, 50W
- 3 adjustable rotating back-massage jets

Additional modules (optional)

- Inline heater (without image)
- Control panel electronic cleaning system

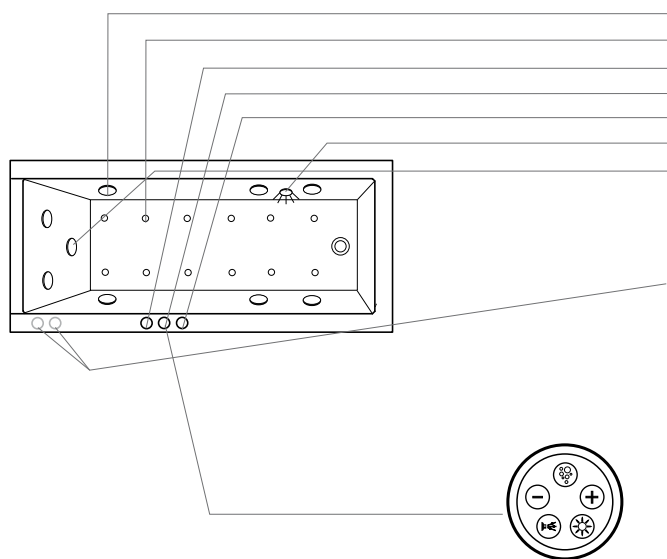
Accessories (optional)

- Cable-driven waste and overflow with integrated water inlet (without image)
- Coloured Light with remote control for whirltubs (without image)

Control panel Jet E

The system is operated by pressing the raised symbol on the control panel.

Combi-System E



Equipment

- 6 side mounted jets (air + water)
- 12 jets embedded in the floor (air)
- Air control regulator back-massage
- Control panel Combi-System E
- Air control regulator Jet-System
- 1 underwater light, 50W
- 3 adjustable rotating back-massage jets

Additional modules (optional)

- Inline heater (without image)
- Control panel electronic cleaning system

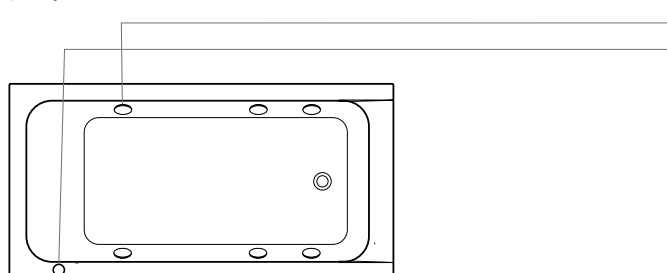
Accessories (optional)

- Cable-driven waste and overflow with integrated water inlet (without image)
- Coloured Light with remote control for whirltubs (without image)

Control panel Combi-System E

The system is operated by pressing the raised symbol on the control panel.

Jet System (D-Code)

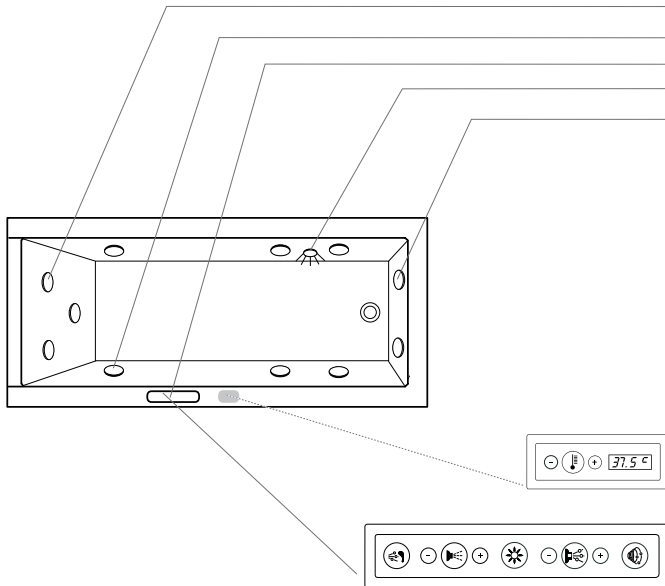


Equipment

- 6 side mounted jets (air + water)
- Operating unit + Air control regulator

Whirl-Systems Product Information

Jet L System



Equipment

- 3 adjustable rotating back-massage jets
- 6 side mounted jets (Air + water)
- Control panel Jet L
- 1 underwater light, 50 W
- 2 adjustable rotating foot-massage jets

Additional modules (optional)

- Coloured light (instead of underwater light) (without image)
- UV Hygiene Management (without image)
- Temperature L (without image)

Accessories (optional)

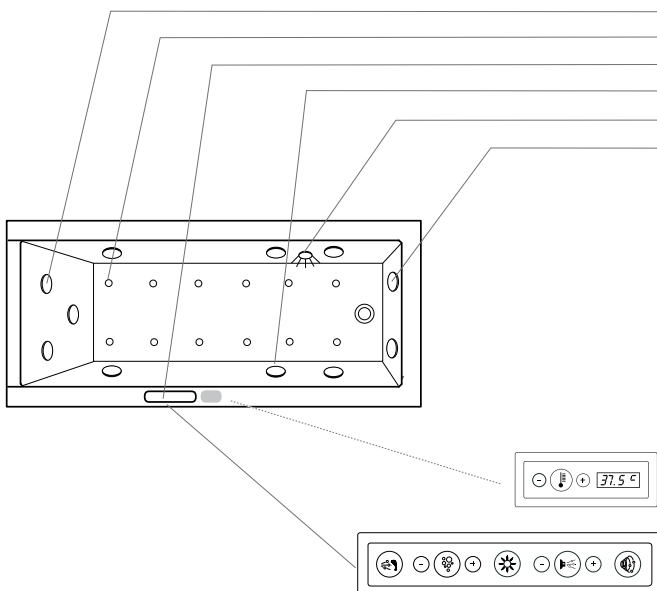
- Cable-driven waste and overflow with integrated water inlet (without image)

Control panel Temperature L (optional)

Control panel Jet L

The operating symbols are almost invisible at first. By gently pressing the area within the stainless steel frame, the lighting comes on gradually. The functions are controlled via the now visible symbols. Once the whirl action is over, the lighting dims completely.

Combi-System L



Equipment

- 3 adjustable rotating back-massage jets
- 12 jets embedded in the floor (Air)
- Control panel Combi-System L
- 6 side mounted jets (Air + water)
- 1 underwater light, 50 W
- 2 adjustable rotating foot-massage jets

Additional modules (optional)

- Coloured light (instead of underwater light) (without image)
- UV Hygiene Management (without image)
- Temperature L (without image)

Accessories (optional)

- Cable-driven waste and overflow with integrated water inlet (without image)

Control panel Temperature L (optional)

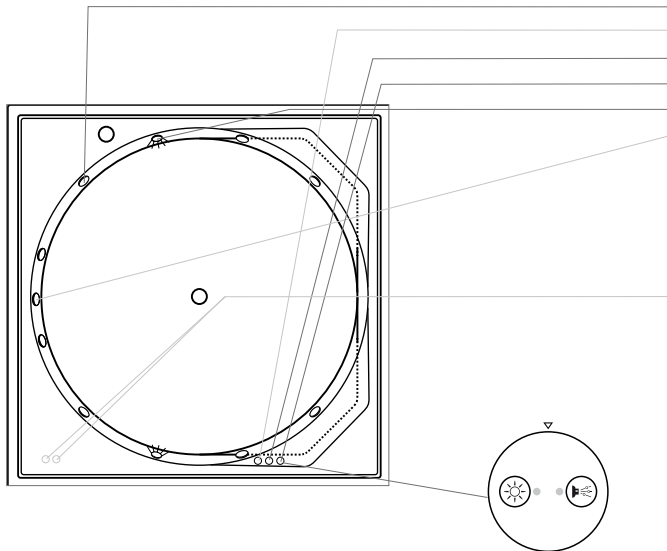
Control panel Combi-System L

The operating symbols are almost invisible at first. By gently pressing the area within the stainless steel frame, the lighting comes on gradually. The functions are controlled via the now visible symbols. Once the whirl action is over, the lighting dims completely.

Whirl-Systems Product Information

Blue Moon

Jet E-System



Equipment

- 6 side mounted jets (air + water)
- Air control regulator back-massage
- Air control regulator Jet-System
- Control panel Jet E
- 2 underwater lights, 50 W
- 3 adjustable rotating back-massage jets (arranged in different heights)

Additional modules (optional)

- Inline heater (without image)
- Control panel electronic cleaning system

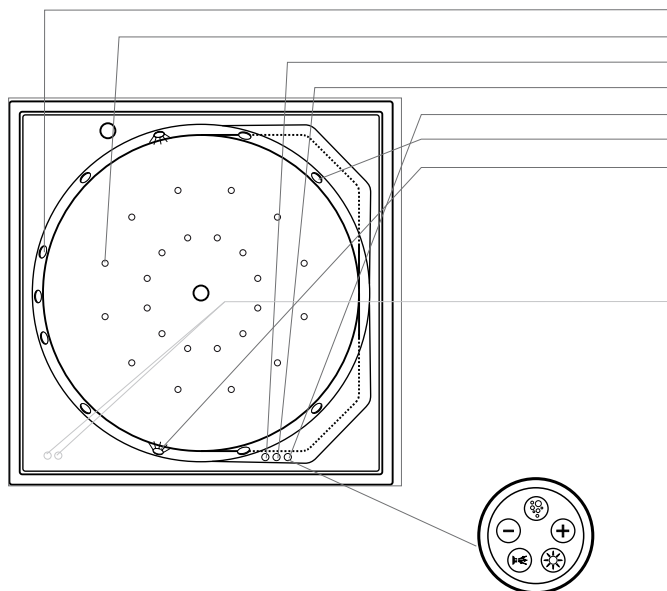
Accessories (optional)

- Coloured Light with remote control for whirltubs (without image)

Control panel Jet E

The system is operated by pressing the raised symbol on the Control panel.

Combi-System E



Equipment

- 3 adjustable rotating back-massage jets (arranged in different heights)
- 24 jets embedded in the floor (air)
- Air control regulator back-massage
- Air control regulator Jet-System
- Control panel Jet E
- 6 side mounted jets (air + water)
- 2 underwater lights, 50 W

Additional modules (optional)

- Inline Heater (without image)
- Control panel electronic cleaning system

Accessories (optional)

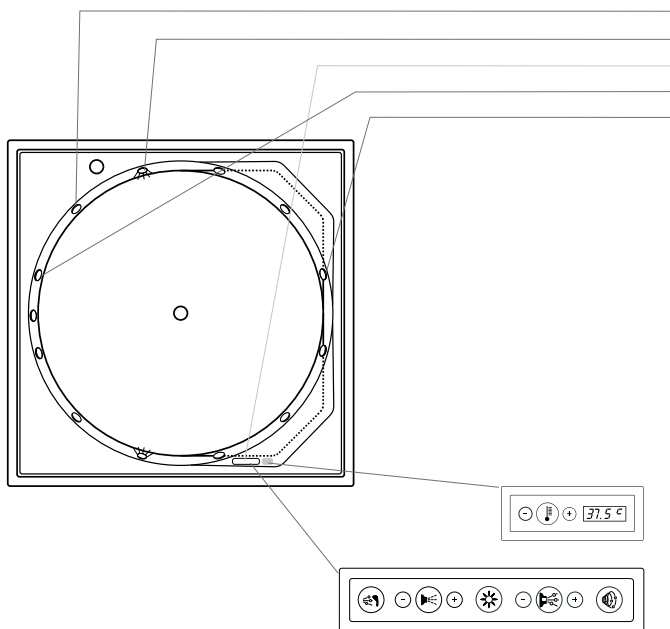
- Coloured Light with remote control for whirltubs (without image)

Control panel Combi-System E

The system is operated by pressing the raised symbol on the control panel.

Whirl-Systems Product Information

Jet L-System



Equipment

- 6 side mounted jets (air + water)
- 2 underwater lights, 50 W
- Control panel Jet L
- 3 adjustable rotating back-massage jets (arranged in different heights)
- 2 adjustable rotating foot-massage jets

Additional modules (optional)

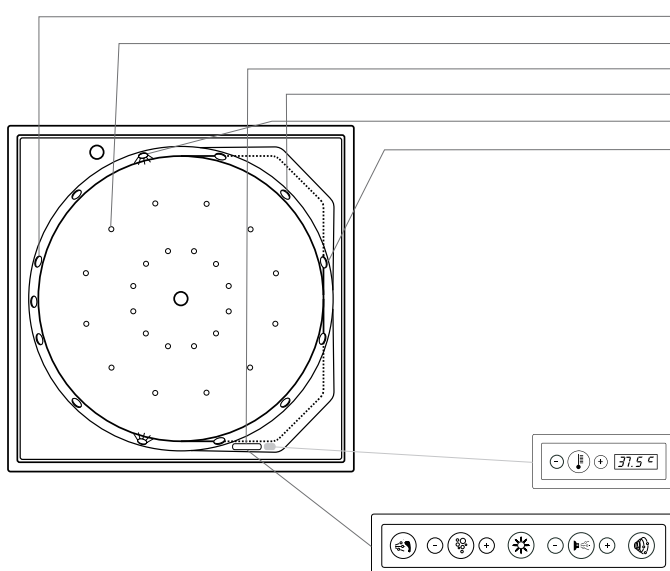
- Coloured Light (instead of underwater light) (without image)
- UV Hygiene Management (without image)
- Temperature L (without image)

Control panel Temperature L (optional)

Control panel Jet L

The operating symbols are almost invisible at first. By gently pressing the area within the stainless steel frame, the lighting comes on gradually. The functions are controlled via the now visible symbols. Once the whirl action is over, the lighting dims completely.

Combi-System L



Equipment

- 3 adjustable rotating back-massage jets (arranged in different heights)
- 24 jets embedded in the floor (air)
- Control panel Combi-System L
- 6 side mounted jets (air + water)
- 2 underwater lights, 50 W
- 2 adjustable rotating foot-massage jets

Additional modules (optional)

- Coloured Light (instead of underwater light) (without image)
- UV Hygiene Management (without image)
- Temperature L (to heat the whirltub to the desired temperature) (without image)

Control panel Temperature L (optional)

Control panel Combi-System L

The operating symbols are almost invisible at first. By gently pressing the area within the stainless steel frame, the lighting comes on gradually. The functions are controlled via the now visible symbols. Once the whirl action is over, the lighting dims completely.

Whirl-Systems Product Information

Whirlsystems and additional modules



Air-System

Warm air is injected into the bath by 12 (24 in Blue Moon) jets embedded in the floor of the tub.



Jet-System

6 side mounted jets create maximum hydrotherapeutic action with actuated intensity of the massage, freely regulated via an air control regulator which is integrated in the rim of the tub.



Back-massage

Water-Air-jet
3 adjustable rotating jets have a beneficial effect on the back.



Foot-massage

Water-Air-jet
2 adjustable rotating jets are stimulating the reflex zones of the foot.



Light

1 (2 in Blue Moon) underwater light, 50 W halogen, creates a cosy atmosphere in the bathroom.



Temperature

Electronically controlled thermal system to compensate for loss of temperature during whirl action.



Hygiene Management

Electronically controlled cleaning system for the disinfection of the jets and pipes of the whirlsystem.



Coloured Light

Light from 5 (10 in Blue Moon) LED-spotlights set into the side walls suffuses the water in alternating, bright colours. A colour in accordance with the atmosphere. Halogen spot is going to be replaced.



Coloured Light with remote control for bathtubs and whirltubs

Light from 5 (10 in Blue Moon) LED-spotlights set into the side walls suffuses the bath water in alternating, bright colours. The 6 colours and white light plus 5 coloured lighting programmes can be selected using the remote control. The brightness of the colours can be dimmed. The LED coloured lighting is not available for Combi L.



Temperature L

Heating module with blue backlit LCD display and control. This system can be used to adjust the whirltub to the desired temperature.



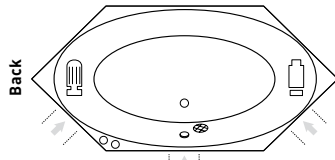
UV Hygiene Management

Simple, environmentally-friendly hygiene by means of automatic UV disinfection. Permanent monitoring of operation by optical sensor.

Standard equipment: Full system drainage, cable-driven waste and overflow, chrome, support frame.

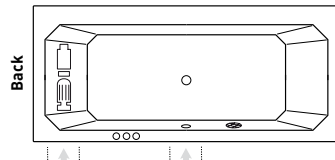
Whirl-Systems Product Information

2 x 3



710023, # 710024

1930 Series



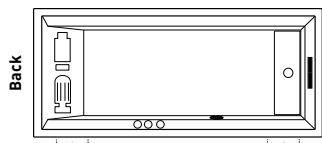
710156

Positioning of the Control panel

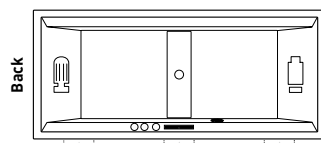
The directions are taken from the perspective of a person bathing. In the standard configuration, the Control panel is always on the right hand side, as are the drain and overflow fittings in 2-seater baths (c.f. Image.).

On request, alternative positioning of the Control panel or aggregates is however possible. Please send us a sketch showing the desired layout. Duravit will check and wherever possible confirm the feasibility.

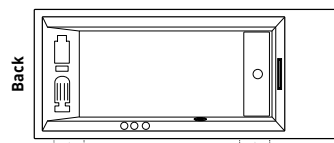
2nd floor



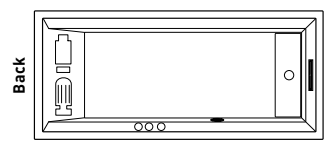
710073, # 710074, # 710075



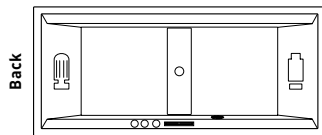
710076, # 710160, # 710161



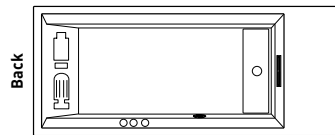
710077



710078, # 710079, # 710080

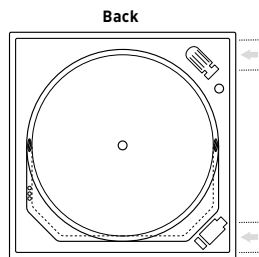


710081, # 710162, # 710163

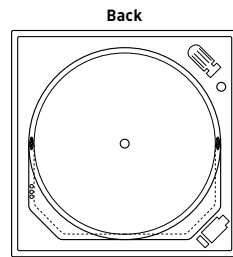


710082

Blue Moon

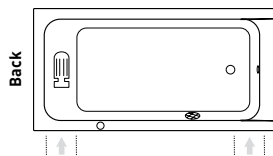


710143 Built-in version

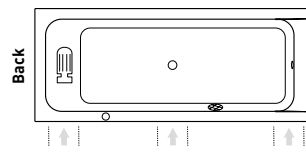


710143 with Panel

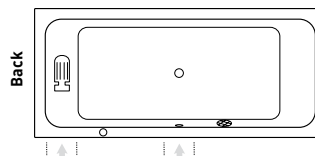
D-Code



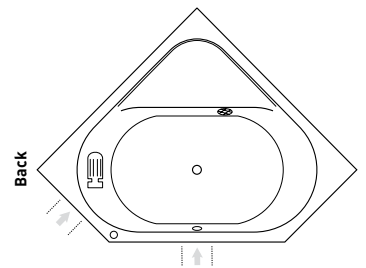
740095, # 740096,
740098, # 740100



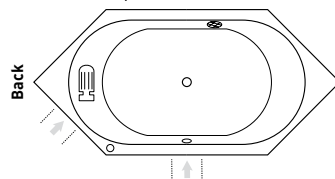
740097, # 740099



740101



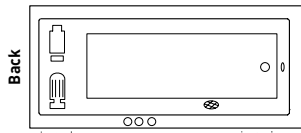
740137



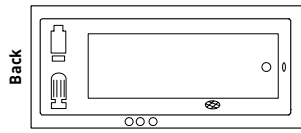
740138

Whirl-Systems Product Information

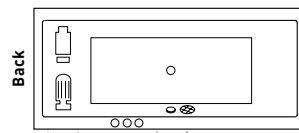
Daro, Starck X



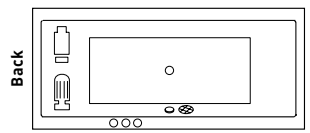
710027, # 710141, # 710050



710089

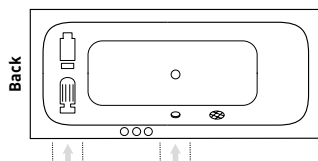


710028, # 710052

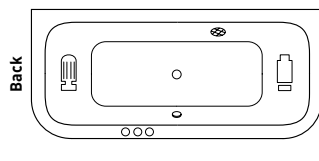


710090

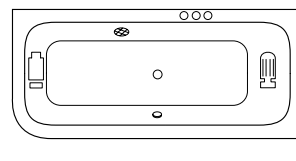
Happy D.



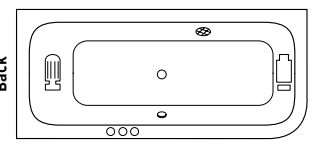
710015



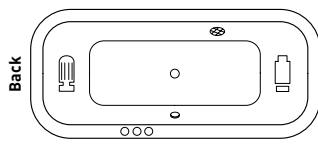
710016



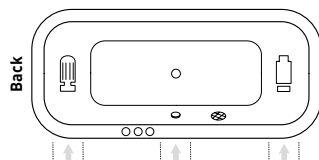
710017



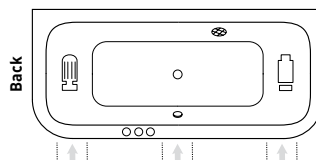
710018



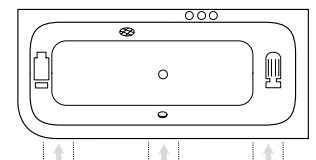
71...19



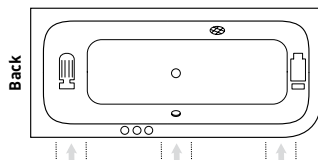
710020



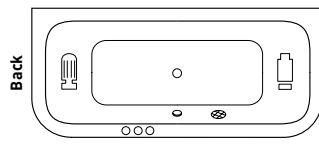
710172



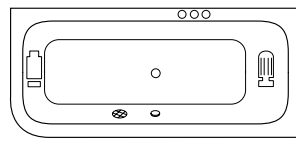
710173



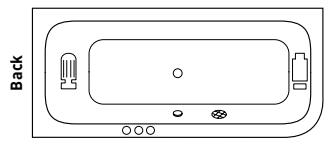
710174



710178

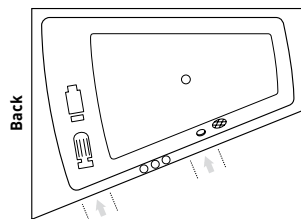


710179

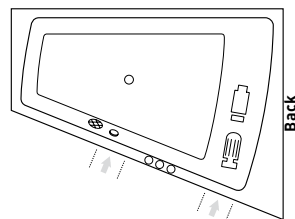


710180

Paiova



710035, # 710037
710039, # 710041
710190, # 710191



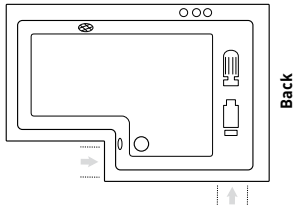
710036, # 710038
710040, # 710042
710191, # 710192

Installation for Paiova with furniture panelling

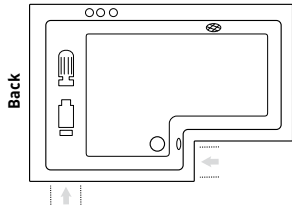
Paiova Whirltub with furniture panelling:
Lower edge of siphon lies 45 mm below upper edge of tiles

Whirl-Systems Product Information

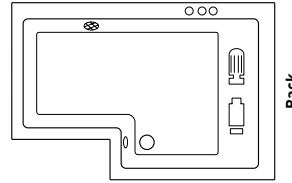
Seadream



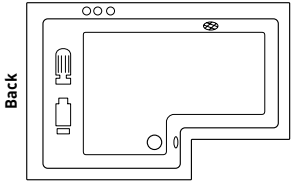
710111



710112

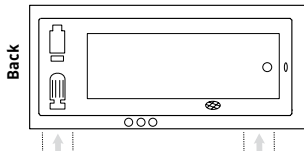


710113

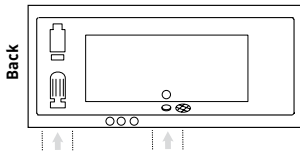


710114

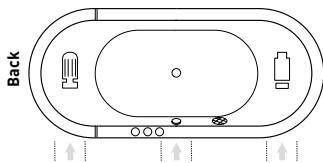
Starck



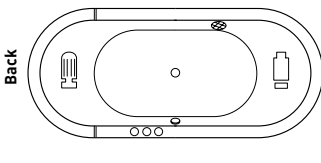
710001, # 710002, # 710003,
710117, # 710118, # 700091,
700092



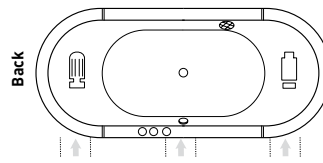
710004, # 710031, # 710032,
710119



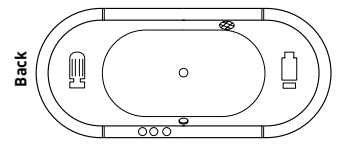
710009



710010

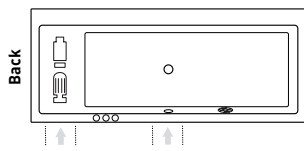


710011

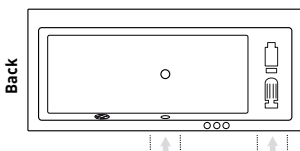


710012

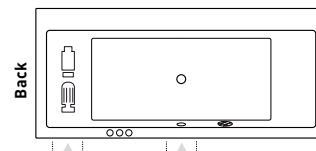
Vero



710133



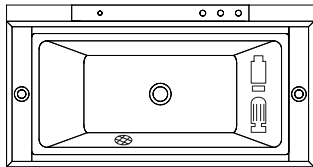
710134



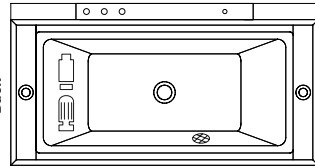
710135, # 710136

Whirl-Systems Product Information

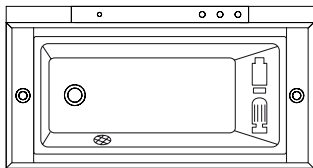
Sundeck



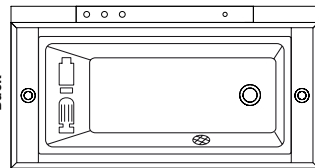
710066, # 710128



710066, # 710128



710127



710127

Fig. 1 Freestanding version, corner right, and back-to-wall version

Fig. 2 Corner left

Positioning of the Control panel on the pillar:

Furniture panelling for freestanding version, corner right and back-to-wall version:

Directions are as seen from the perspective of a person in the tub. In the standard configuration, the right hand always operates the Control panel (see Fig. 1).

Custom version on request. In this case, a sketch showing the desired layout is required. Duravit will check and confirm whether the desired location is possible.

Furniture panel for corner left:

Directions are as seen from the perspective of a person in the tub. In the standard configuration, the left hand always operates the Control panel (see Fig. 2).

Custom version on request. In this case, a sketch showing the desired layout is required. Duravit will check and confirm whether the desired location is possible.

Number of control panels on the pillar:

The number of control panels is determined by the system and the additional modules selected.

Legend



Whirl-Pump



Blower



Control panel



Suction Screen



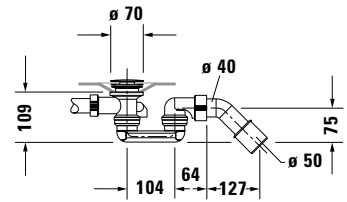
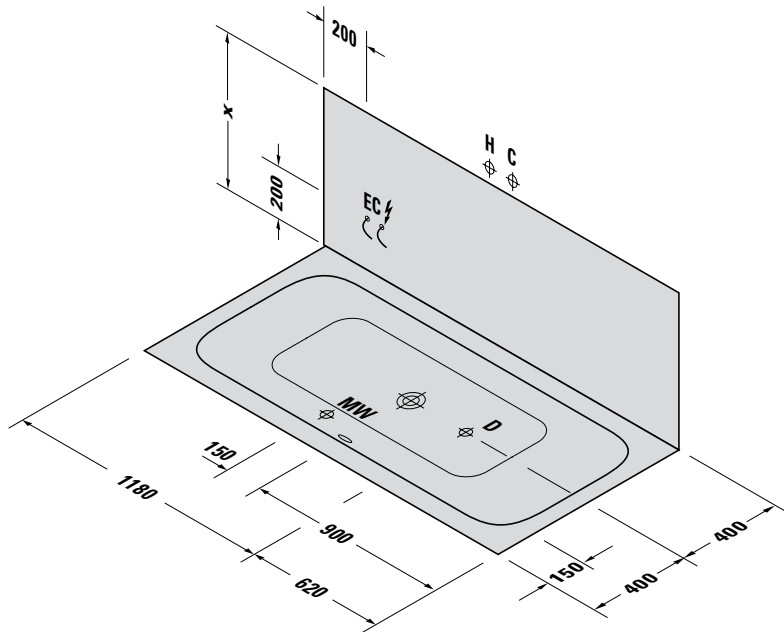
necessary equipment covers

Please note that in case of combining tubs and whirlsystems, single components may reach over the rim of the tub. Therefore, we suggest installation into a bathtub case.

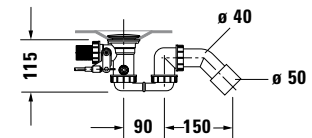
Pre-installation Happy D. # 700021/710015

↳ 1800 x 800 x 460 ‹

Design by Sieger Design



Siphon for bathtub # 700021



Siphon for whirltub # 710015

- H Hot water connection
- C Cold water connection
- D Drain connection
- MW Mixed water connection for outlet and
Overflow fittings with inlet function
- EC ⚡ Electricity connection

	Height	including support frame	including support	including furniture panel	including acrylic panel
X Bathtub	480	600 - 670	590	-	-
X Whirltub	-	600 - 635	-	-	-

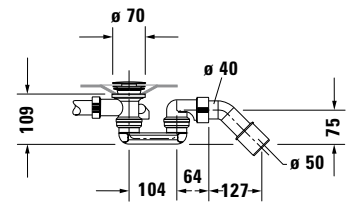
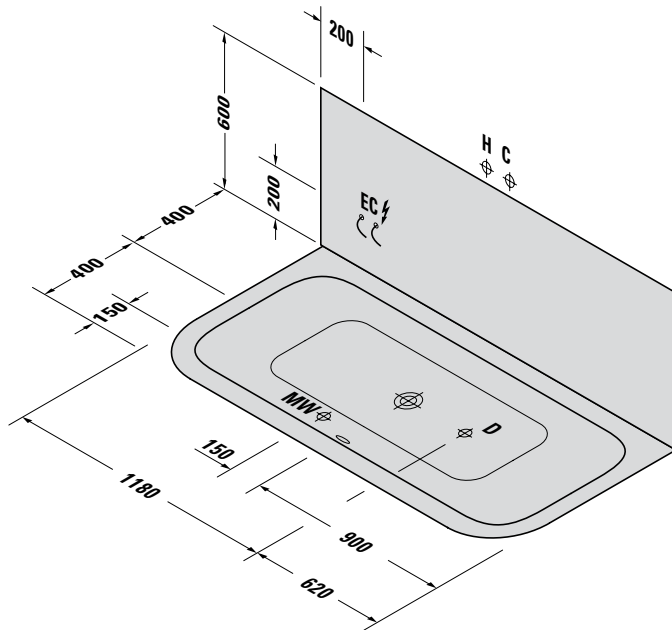
Technical specifications

Net weight kg	Floor load kg/m ²	Shipping weight kg	Shipping dimensions l x w x h (cm)	Water inlet OD, ID	Whirlsystem	Model-No.
34,0	183	49,0	120 x 80 x 195	3/4", 1/2"		700021 . . 0 00 0000
58,0 - 67,0	200 - 206	100,0 - 109,0	202 x 105 x 86	3/4"	Jet E	710015 . . 6 . . 1000
61,0 - 70,0	202 - 208	103,0 - 112,0	202 x 105 x 86	3/4"	Combi-System E	710015 . . 4 . . 1000
64,0 - 69,0	204 - 208	106,0 - 111,0	202 x 105 x 86	3/4"	Jet L	710015 . . 7 . . 1000
68,0 - 73,0	207 - 210	110,0 - 115,0	202 x 105 x 86	3/4"	Combi-System L	710015 . . 5 . . 1000

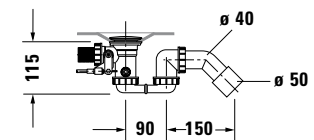
Pre-installation Happy D. # 700178/710178

↳ 1800 x 800 x 460 ‹

Design by Sieger Design



Siphon for bathtub # 700178



Siphon for whirltub # 710178

- H Hot water connection
- C Cold water connection
- D Drain connection
- MW Mixed water connection for outlet and
Overflow fittings with inlet function
- EC Electricity connection

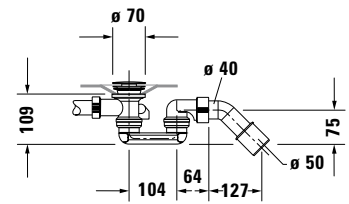
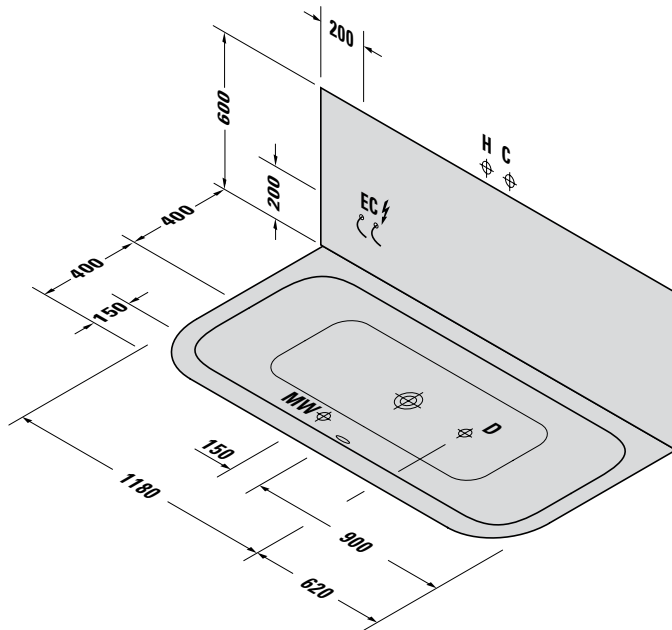
Technical specifications

Net weight kg	Floor load kg/m ²	Shipping weight kg	Shipping dimensions (l x w x h (cm))	Water inlet OD, ID	Whirlsystem	Model-No.
48,0	193	71,5	187 x 88 x 79	3/4", 1/2"		700178 .. 0 00 0000
74,0 - 83,0	211 - 217	116,0 - 125,0	202 x 105 x 86	3/4"	Jet E	710178 .. 6 .. 1000
77,0 - 86,0	213 - 219	119,0 - 128,0	202 x 105 x 86	3/4"	Combi-System E	710178 .. 4 .. 1000
80,0 - 85,0	215 - 219	122,0 - 127,0	202 x 105 x 86	3/4"	Jet L	710178 .. 7 .. 1000
84,0 - 89,0	218 - 222	126,0 - 131,0	202 x 105 x 86	3/4"	Combi-System L	710178 .. 5 .. 1000

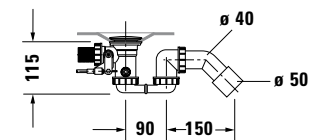
Pre-installation Happy D. # 700016/710016

↳ 1800 x 800 x 460 ‹

Design by Sieger Design



Siphon for bathtub # 700016



Siphon for whirltub # 710016

- H Hot water connection
- C Cold water connection
- D Drain connection
- MW Mixed water connection for outlet and
Overflow fittings with inlet function
- EC Electricity connection

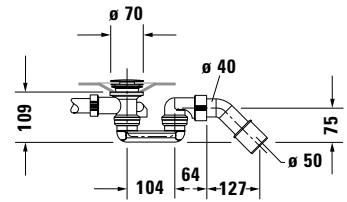
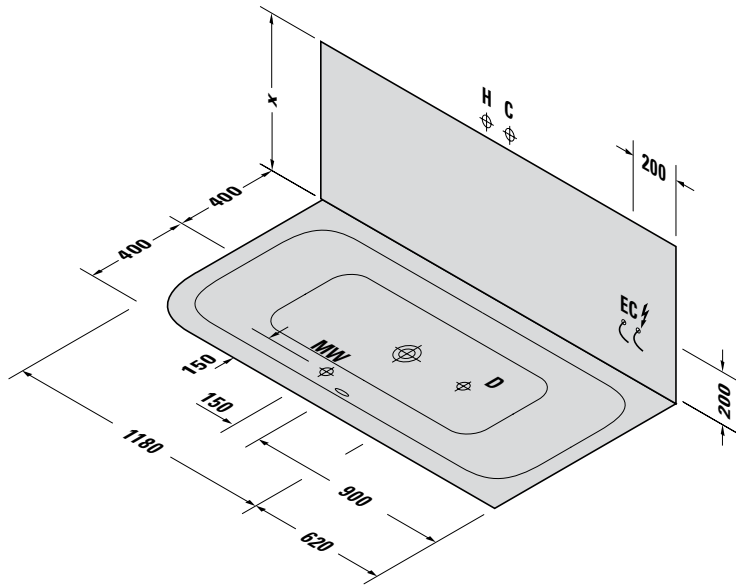
Technical specifications

Net weight kg	Floor load kg/m ²	Shipping weight kg	Shipping dimensions l x w x h (cm)	Water inlet OD, ID	Whirlsystem	Model-No.
57,5	200	77,8	187 x 88 x 79	3/4", 1/2"		700016 .. 0 00 0000
83,0 - 92,0	217 - 224	125,0 - 134,0	202 x 105 x 86	3/4"	Jet E	710016 .. 6 .. 1000
87,0 - 96,0	220 - 226	129,0 - 138,0	202 x 105 x 86	3/4"	Combi-System E	710016 .. 4 .. 1000
90,0 - 95,0	222 - 226	132,0 - 137,0	202 x 105 x 86	3/4"	Jet L	710016 .. 7 .. 1000
93,0 - 98,0	224 - 228	135,0 - 140,0	202 x 105 x 86	3/4"	Combi-System L	710016 .. 5 .. 1000

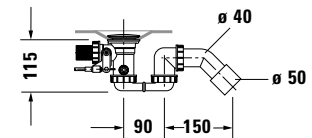
Pre-installation Happy D. # 700176/710173

└ 1800 x 800 x 460 ┘

Design by Sieger Design



Siphon for bathtub # 700176



Siphon for whirltub # 710173

- H** Hot water connection
- C** Cold water connection
- D** Drain connection
- MW** Mixed water connection for outlet and Overflow fittings with inlet function
- EC** Electricity connection

	Height	including support frame	including support	including furniture panel	including acrylic panel
X Bathtub	480	600 - 670	540	-	-
X Whirltub	-	600 - 635	-	-	-

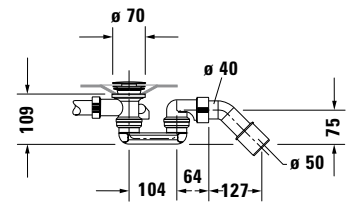
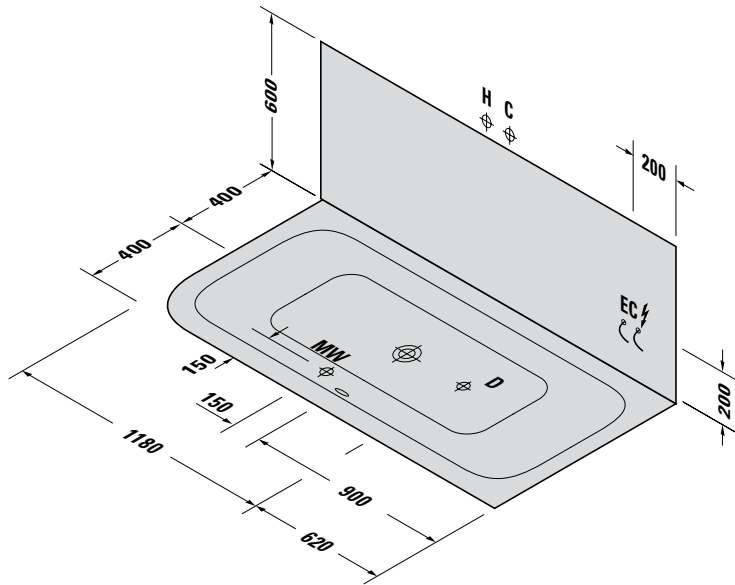
Technical specifications

Net weight kg	Floor load kg/m ²	Shipping weight kg	Shipping dimensions l x w x h (cm)	Water inlet OD, ID	Whirlsystem	Model-No.
33,0	197	48,0	120 x 80 x 195	3/4", 1/2"		700176 . . 0 00 0000
57,0 - 66,0	213 - 219	99,0 - 108,0	202 x 105 x 86	3/4"	Jet E	710173 . . 6 . . 1000
60,0 - 69,0	215 - 222	102,0 - 111,0	202 x 105 x 86	3/4"	Combi-System E	710173 . . 4 . . 1000
63,0 - 68,0	217 - 221	105,0 - 110,0	202 x 105 x 86	3/4"	Jet L	710173 . . 7 . . 1000
67,0 - 72,0	220 - 224	109,0 - 114,0	202 x 105 x 86	3/4"	Combi-System L	710173 . . 5 . . 1000

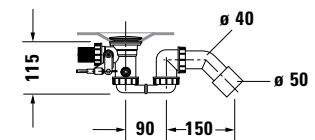
Pre-installation Happy D. # 700179/710179

↳ 1800 x 800 x 460 ‹

Design by Sieger Design



Siphon for bathtub # 700179



Siphon for whirltub # 710179

- H** Hot water connection
- C** Cold water connection
- D** Drain connection
- MW** Mixed water connection for outlet and overflow fittings with inlet function
- EC** Electricity connection

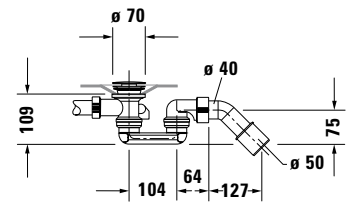
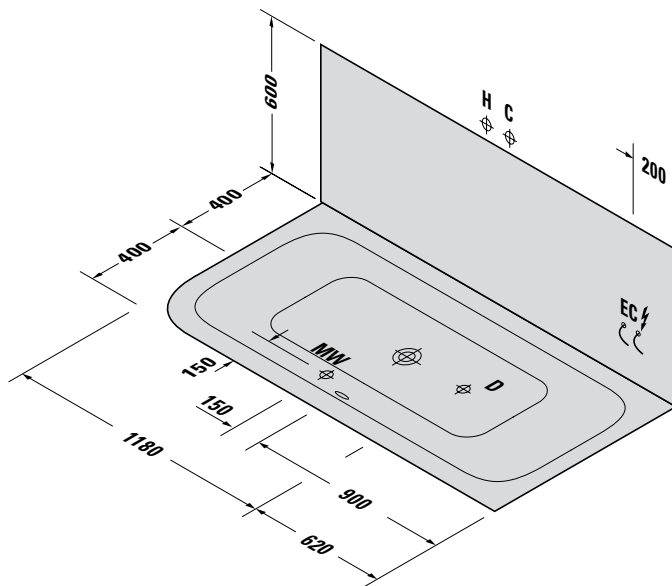
Technical specifications

Net weight kg	Floor load kg/m ²	Shipping weight kg	Shipping dimensions l x w x h (cm)	Water inlet OD, ID	Whirlsystem	Model-No.
48,0	207	71,5	187 x 88 x 79	3/4", 1/2"		700179 .. 0 00 0000
74,0 - 83,0	225 - 231	116,0 - 125,0	202 x 105 x 86	3/4"	Jet E	710179 .. 6 .. 1000
77,0 - 86,0	227 - 233	119,0 - 128,0	202 x 105 x 86	3/4"	Combi-System E	710179 .. 4 .. 1000
80,0 - 85,0	229 - 233	122,0 - 127,0	202 x 105 x 86	3/4"	Jet L	710179 .. 7 .. 1000
84,0 - 89,0	232 - 235	126,0 - 131,0	202 x 105 x 86	3/4"	Combi-System L	710179 .. 5 .. 1000

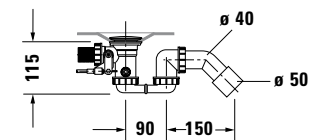
Pre-installation Happy D. # 700017/710017

↳ 1800 x 800 x 460 ‹

Design by Sieger Design



Siphon for bathtub # 700017



Siphon for whirltub # 710017

- H** Hot water connection
- C** Cold water connection
- D** Drain connection
- MW** Mixed water connection for outlet and
Overflow fittings with inlet function
- EC** Electricity connection

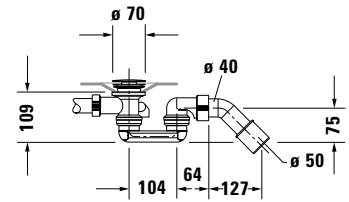
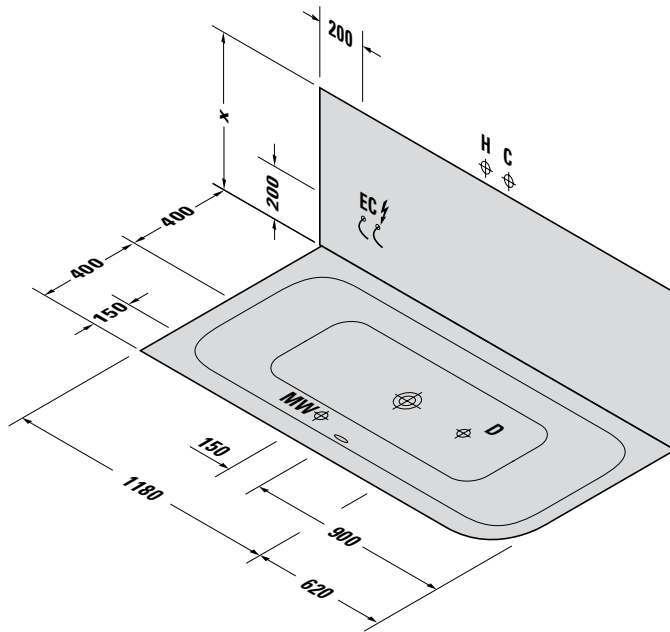
Technical specifications

Net weight kg	Floor load kg/m ²	Shipping weight kg	Shipping dimensions (l x w x h (cm))	Water inlet OD, ID	Whirlsystem	Model-No.
56,0	213	76,3	187 x 88 x 79	3/4", 1/2"		700017 .. 0 00 0000
82,0 - 91,0	231 - 237	124,0 - 133,0	202 x 105 x 86	3/4"	Jet E	710017 .. 6 .. 1000
85,0 - 94,0	233 - 239	127,0 - 136,0	202 x 105 x 86	3/4"	Combi-System E	710017 .. 4 .. 1000
88,0 - 93,0	235 - 238	130,0 - 135,0	202 x 105 x 86	3/4"	Jet L	710017 .. 7 .. 1000
92,0 - 97,0	238 - 241	134,0 - 139,0	202 x 105 x 86	3/4"	Combi-System L	710017 .. 5 .. 1000

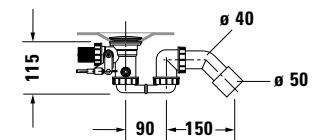
Pre-installation Happy D. # 700177/710174

↳ 1800 x 800 x 460 ‹

Design by Sieger Design



Siphon for bathtub # 700177



Siphon for whirltub # 710174

- H Hot water connection
- C Cold water connection
- D Drain connection
- MW Mixed water connection for outlet and
Overflow fittings with inlet function
- EC ⚡ Electricity connection

	Height	including support frame	including support	including furniture panel	including acrylic panel
X Bathtub	480	600 - 670	540	-	-
X Whirltub	-	600 - 635	-	-	-

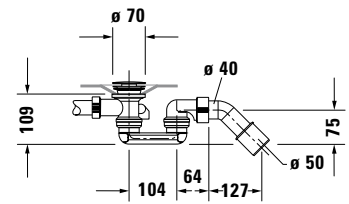
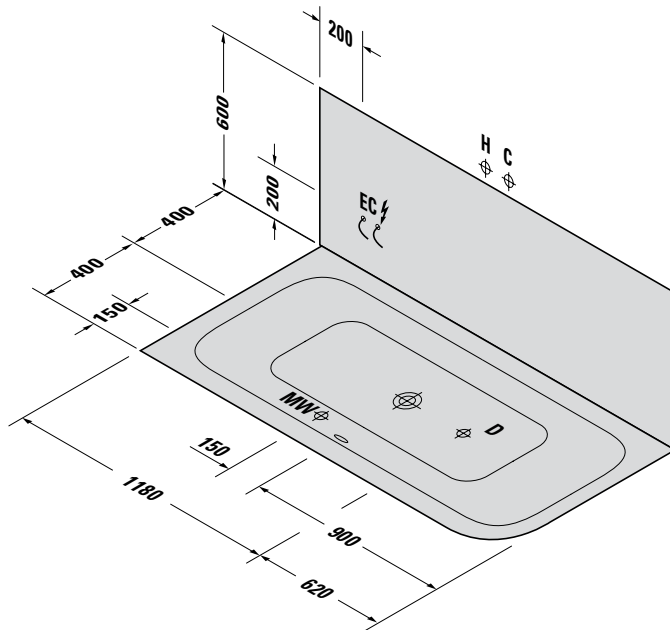
Technical specifications

Net weight kg	Floor load kg/m ²	Shipping weight kg	Shipping dimensions l x w x h (cm)	Water inlet OD, ID	Whirlsystem	Model-No.
33,0	197	48,0	120 x 80 x 195	3/4", 1/2"		700177 . . 0 00 0000
57,0 - 66,0	213 - 219	99,0 - 108,0	202 x 105 x 86	3/4"	Jet E	710174 . . 6 . . 1000
60,0 - 69,0	215 - 222	102,0 - 111,0	202 x 105 x 86	3/4"	Combi-System E	710174 . . 4 . . 1000
63,0 - 68,0	217 - 221	105,0 - 110,0	202 x 105 x 86	3/4"	Jet L	710174 . . 7 . . 1000
67,0 - 72,0	220 - 224	109,0 - 114,0	202 x 105 x 86	3/4"	Combi-System L	710174 . . 5 . . 1000

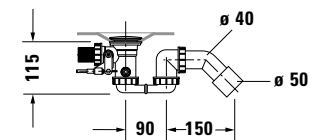
Pre-installation Happy D. # 700180/710180

↳ 1800 x 800 x 460 ‹

Design by Sieger Design



Siphon for bathtub # 700180



Siphon for whirltub # 710180

- H Hot water connection
- C Cold water connection
- D Drain connection
- MW Mixed water connection for outlet and
Overflow fittings with inlet function
- EC ⚡ Electricity connection

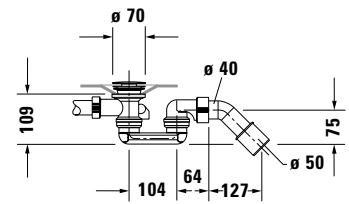
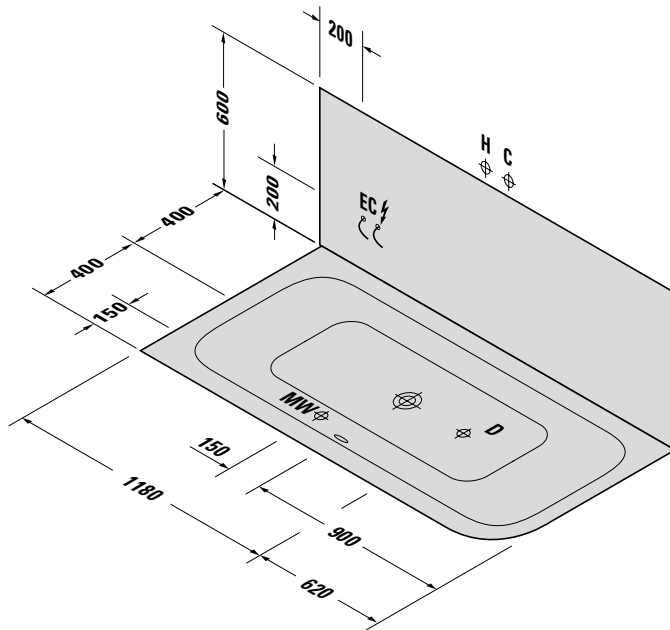
Technical specifications

Net weight kg	Floor load kg/m ²	Shipping weight kg	Shipping dimensions (l x w x h (cm))	Water inlet OD, ID	Whirlsystem	Model-No.
48,0	207	71,5	187 x 88 x 79	3/4", 1/2"		700180 .. 0 00 0000
74,0 - 83,0	225 - 231	116,0 - 125,0	202 x 105 x 86	3/4"	Jet E	710180 .. 6 .. 1000
77,0 - 86,0	227 - 233	119,0 - 128,0	202 x 105 x 86	3/4"	Combi-System E	710180 .. 4 .. 1000
80,0 - 85,0	229 - 233	122,0 - 127,0	202 x 105 x 86	3/4"	Jet L	710180 .. 7 .. 1000
84,0 - 89,0	232 - 235	126,0 - 131,0	202 x 105 x 86	3/4"	Combi-System L	710180 .. 5 .. 1000

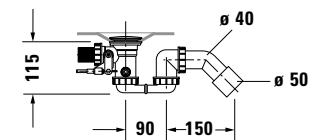
Pre-installation Happy D. # 700018/710018

↳ 1800 x 800 x 460 ‹

Design by Sieger Design



Siphon for bathtub # 700018



Siphon for whirltub # 710018

- H** Hot water connection
- C** Cold water connection
- D** Drain connection
- MW** Mixed water connection for outlet and
Overflow fittings with inlet function
- EC** Electricity connection

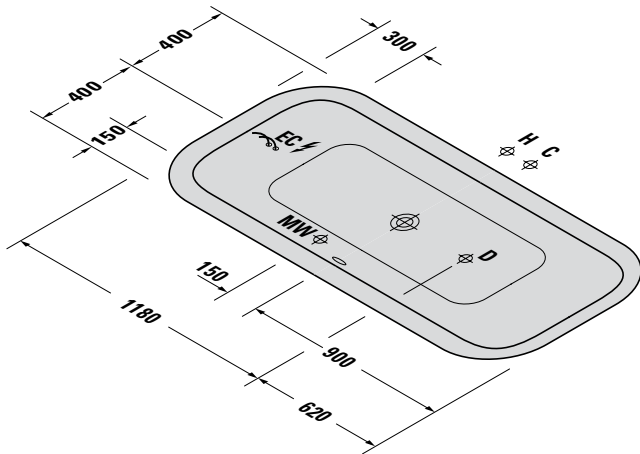
Technical specifications

Net weight kg	Floor load kg/m ²	Shipping weight kg	Shipping dimensions (l x w x h (cm))	Water inlet OD, ID	Whirlsystem	Model-No.
56,0	213	76,3	187 x 88 x 79	3/4", 1/2"		700018 .. 0 00 0000
82,0 - 91,0	231 - 237	124,0 - 133,0	202 x 105 x 86	3/4"	Jet E	710018 .. 6 .. 1000
85,0 - 94,0	233 - 239	127,0 - 136,0	202 x 105 x 86	3/4"	Combi-System E	710018 .. 4 .. 1000
88,0 - 93,0	235 - 238	130,0 - 135,0	202 x 105 x 86	3/4"	Jet L	710018 .. 7 .. 1000
92,0 - 97,0	238 - 241	134,0 - 139,0	202 x 105 x 86	3/4"	Combi-System L	710018 .. 5 .. 1000

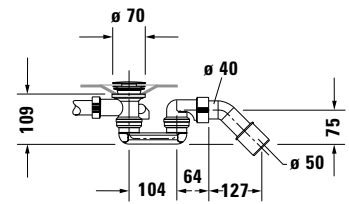
Pre-installation Happy D. # 700019/710019

↳ 1800 x 800 x 460 ‹

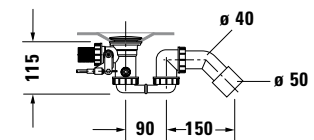
Design by Sieger Design



- H Hot water connection
- C Cold water connection
- D Drain connection
- MW Mixed water connection for outlet and overflow fittings with inlet function
- EC Electricity connection



Siphon for bathtub # 700019



Siphon for whirltub # 710019

	Height	including support frame	including support	including furniture panel	including acrylic panel
X Bathtub	-	-	-	-	600
X Whirltub	-	-	-	-	600

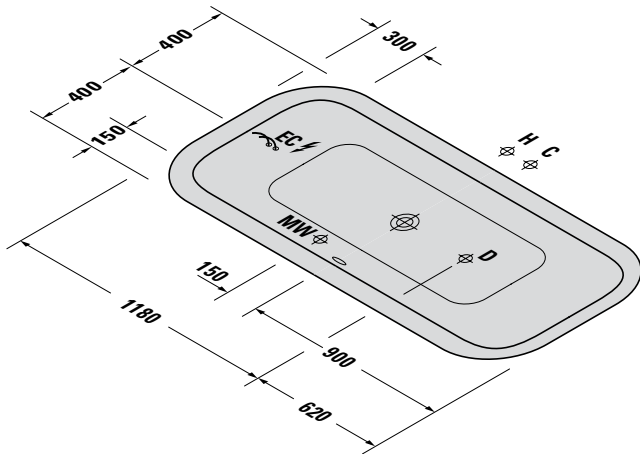
Technical specifications

Net weight kg	Floor load kg/m ²	Shipping weight kg	Shipping dimensions l x w x h (cm)	Water inlet OD, ID	Whirlsystem	Model-No.
69,0	208	89,3	187 x 88 x 83	3/4", 1/2"		700019 . . 0 00 0000
95,0 - 104,0	226 - 232	137,0 - 146,0	202 x 105 x 86	3/4"	Jet E	710019 . . 6 . . 1000
98,0 - 107,0	228 - 234	140,0 - 149,0	202 x 105 x 86	3/4"	Combi-System E	710019 . . 4 . . 1000
101,0 - 106,0	230 - 233	143,0 - 148,0	202 x 105 x 86	3/4"	Jet L	710019 . . 7 . . 1000
105,0 - 110,0	233 - 236	147,0 - 152,0	202 x 105 x 86	3/4"	Combi-System L	710019 . . 5 . . 1000

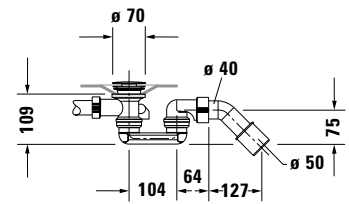
Pre-installation Happy D. # 70..19/71..19

↳ 1800 x 800 x 460 ‹

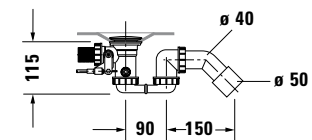
Design by Sieger Design



- H** Hot water connection
- C** Cold water connection
- D** Drain connection
- MW** Mixed water connection for outlet and overflow fittings with inlet function
- EC** Electricity connection



Siphon for bathtub # 70..19



Siphon for whirltub # 71..19

	Height	including support frame	including support	including furniture panel	including acrylic panel
X Bathtub	-	-	-	630	-
X Whirltub	-	-	-	630	-

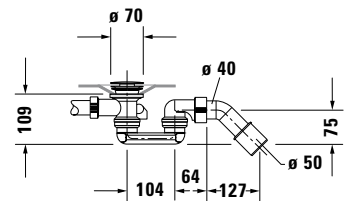
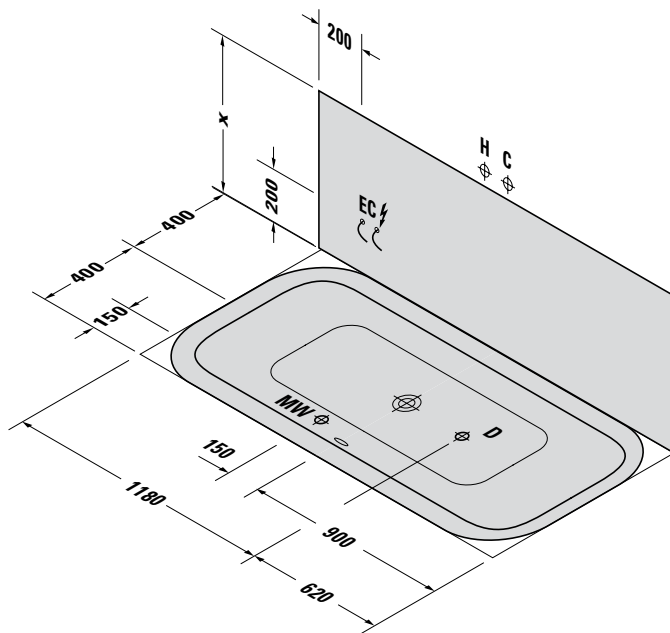
Technical specifications

Net weight kg	Floor load kg/m ²	Shipping weight kg	Shipping dimensions l x w x h (cm)	Water inlet OD, ID	Whirlsystem	Model-No.
59,5	201	79,8	187 x 88 x 83	3/4", 1/2"		70..19..000000
85,0 - 94,0	219 - 225	127,0 - 136,0	202 x 105 x 86	3/4"	Jet E	71..19..6..1000
89,0 - 98,0	222 - 228	131,0 - 140,0	202 x 105 x 86	3/4"	Combi-System E	71..19..4..1000
92,0 - 97,0	224 - 227	134,0 - 139,0	202 x 105 x 86	3/4"	Jet L	71..19..7..1000
95,0 - 100,0	226 - 229	137,0 - 142,0	202 x 105 x 86	3/4"	Combi-System L	71..19..5..1000

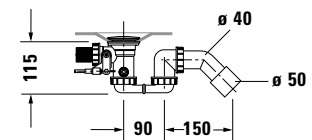
Pre-installation Happy D. # 700022/710020

↳ 1800 x 800 x 460 ‹

Design by Sieger Design



Siphon for bathtub # 700022



Siphon for whirltub # 710020

- H** Hot water connection
- C** Cold water connection
- D** Drain connection
- MW** Mixed water connection for outlet and
Overflow fittings with inlet function
- EC** Electricity connection

	Height	including support frame	including support	including furniture panel	including acrylic panel
X Bathtub	480	600 - 670	575	-	-
X Whirltub	-	600 - 635	-	-	-

Technical specifications

Net weight kg	Floor load kg/m ²	Shipping weight kg	Shipping dimensions l x w x h (cm)	Water inlet OD, ID	Whirlsystem	Model-No.
35,0	184	50,0	120 x 80 x 195	3/4", 1/2"		700022 . . 0 00 0000
59,0 - 68,0	201 - 207	101,0 - 110,0	202 x 105 x 86	3/4"	Jet E	710020 . . 6 . . 1000
62,0 - 71,0	203 - 209	104,0 - 113,0	202 x 105 x 86	3/4"	Combi-System E	710020 . . 4 . . 1000
65,0 - 70,0	205 - 208	107,0 - 112,0	202 x 105 x 86	3/4"	Jet L	710020 . . 7 . . 1000
69,0 - 74,0	208 - 211	111,0 - 116,0	202 x 105 x 86	3/4"	Combi-System L	710020 . . 5 . . 1000