




Control Panel Operation Instructions

page 11


1. power on/off

When system on standby state, press this  key(2 seconds or more),then display on, simultaneously lights on;Press  key again,system off(if no any further operation in 1hour,system auto-off);When system off,touch the panel anywhere,key light will turn on,but it will be off in 5 seconds if no power on.




2. Ozoner

When system on, press the panel  key, ozone function will be turn on; then touch it once again,ozoner closes;and the same time,fan and light will be on.



3. Fan

When system on,touch the panel  key,fan will work on;then touch it once again,fan function closes;the same time there will be fan mark on/off in display.


4. light

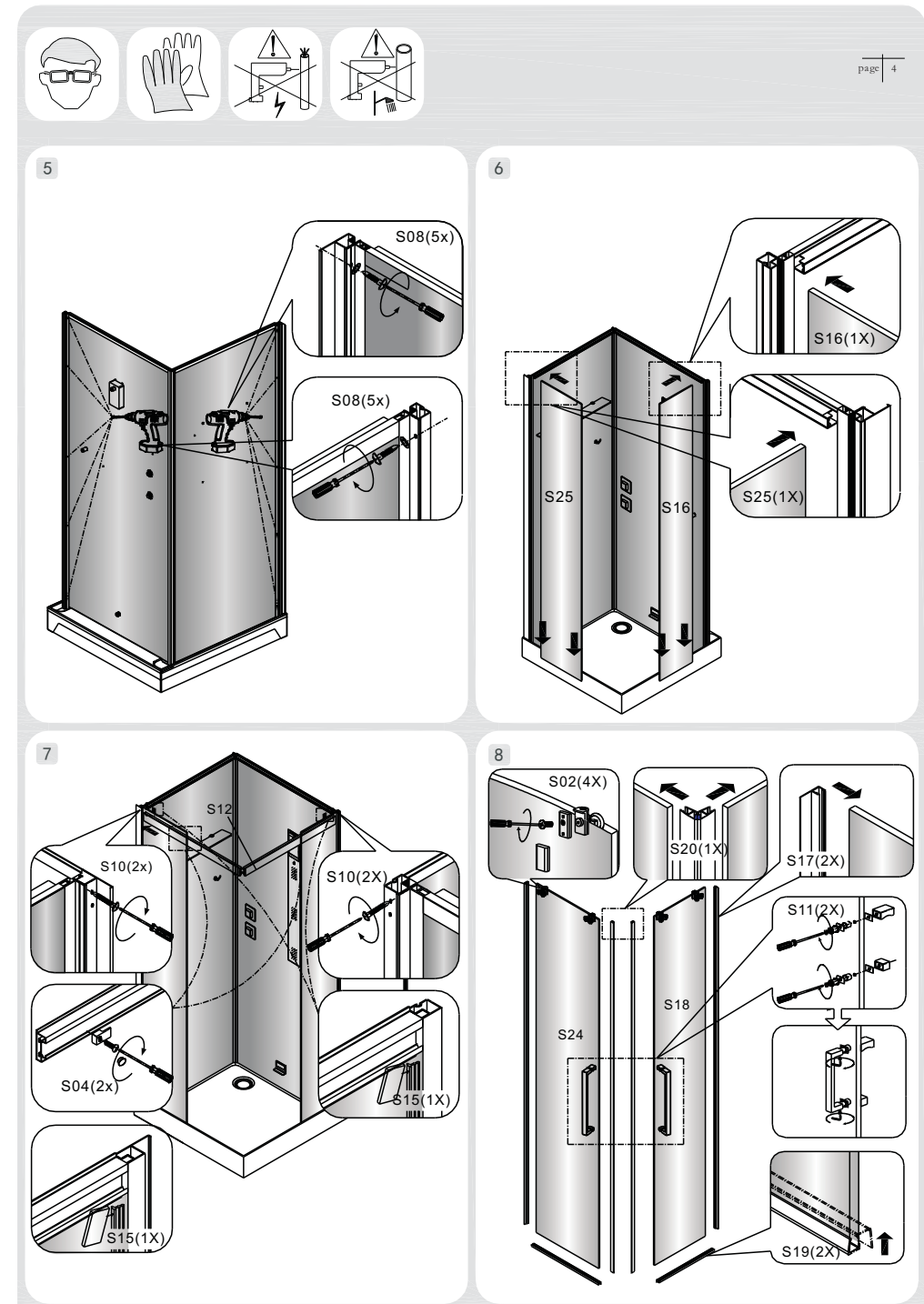
When system on,Press the light  the light turn off, press the light  again,the light turn on. then pressing the light and the keep the light color, and then press the light  again , the light turn off.

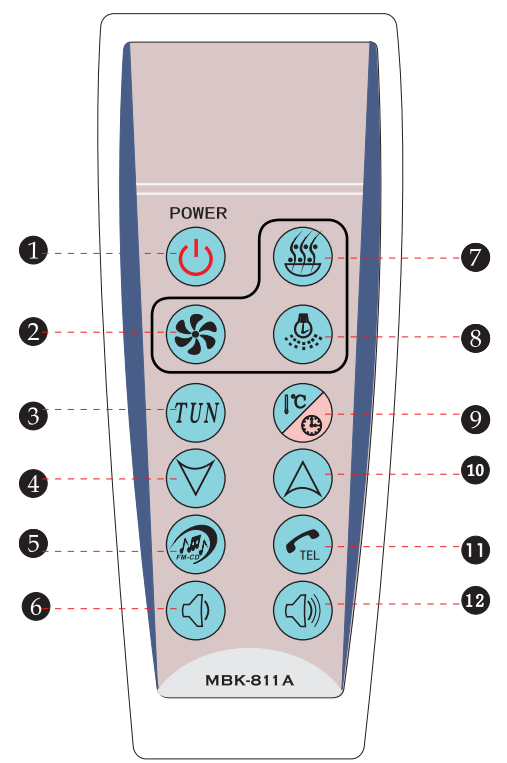
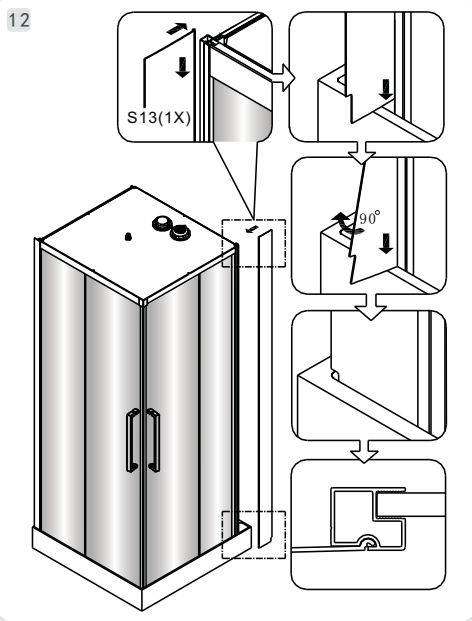
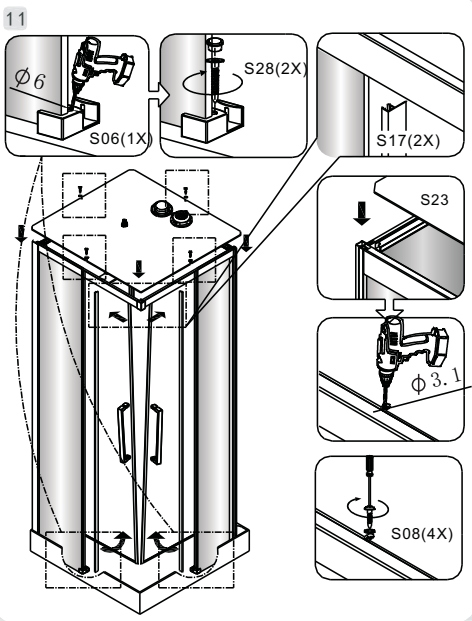
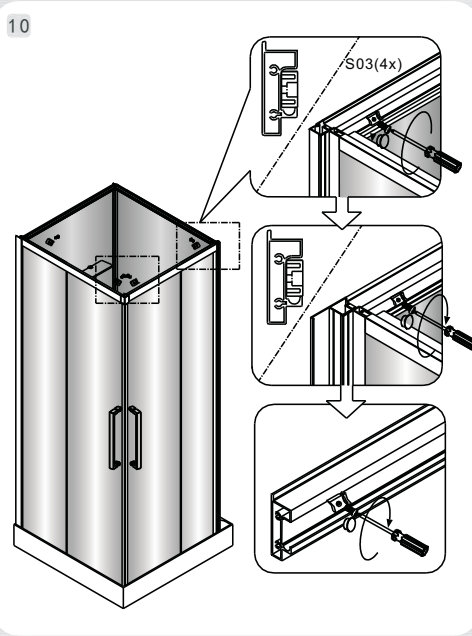
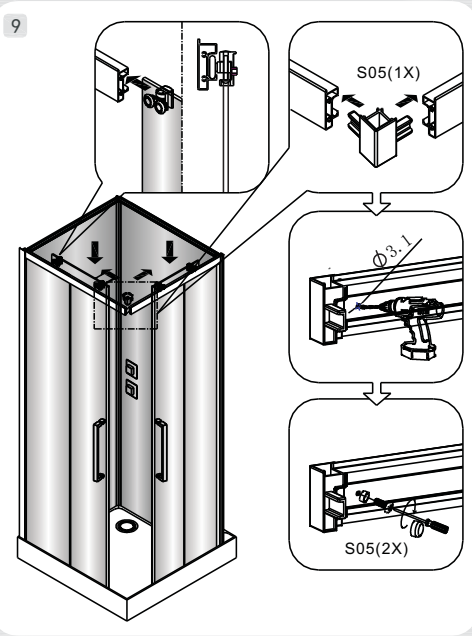
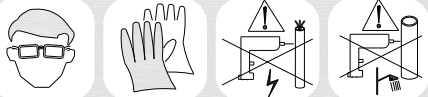
5. FM/CD

When system on,firstly touch the panel  key,radio function on;and radio tuner display on;then touch its  key again,radio function switch into CD;and CD mark will show in display;and touch it once again,CD function shut off.

6. Radio tuner searching(radio on work)

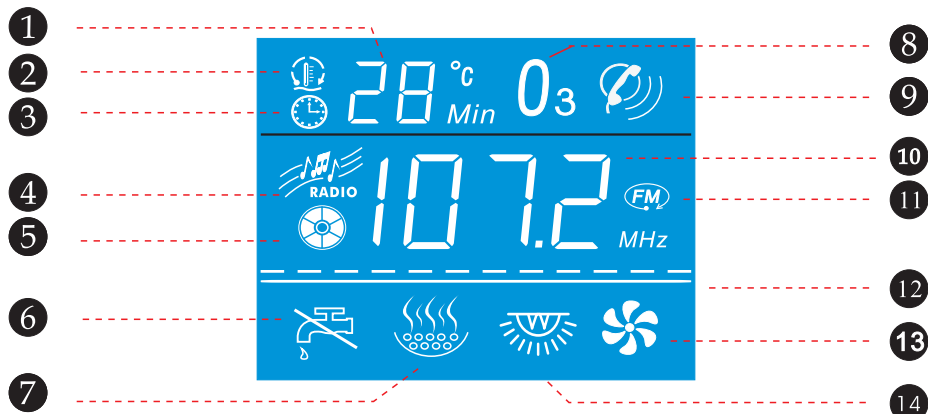
①、Auto-search/store:press  key for 2 secs or more,auto-search/store function on,tuner range from 87.5-108.0MHZ(fixed tuner quantity 1-32 available,it depends on signal situation).



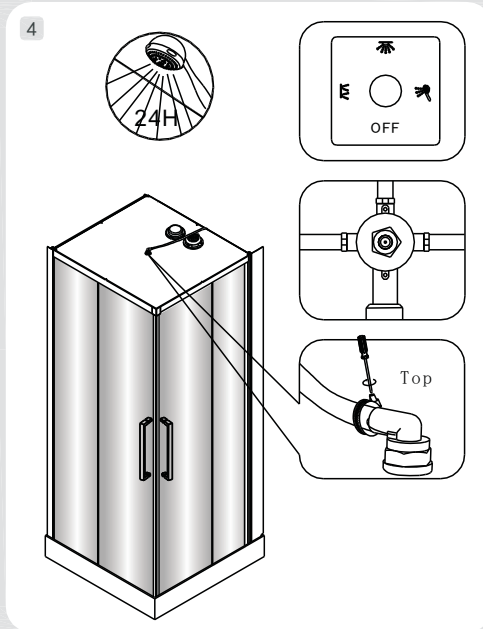
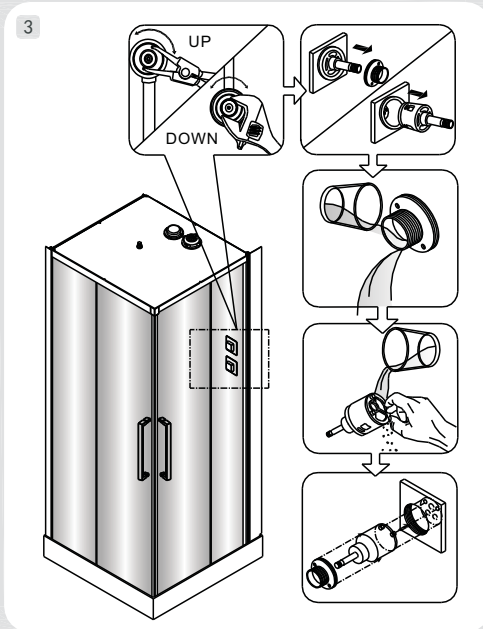
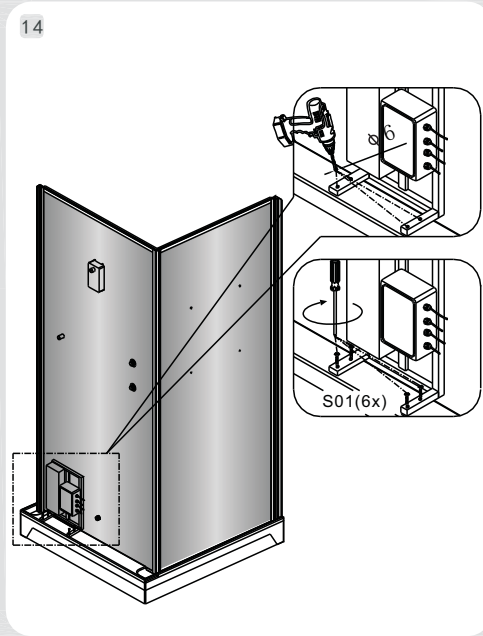
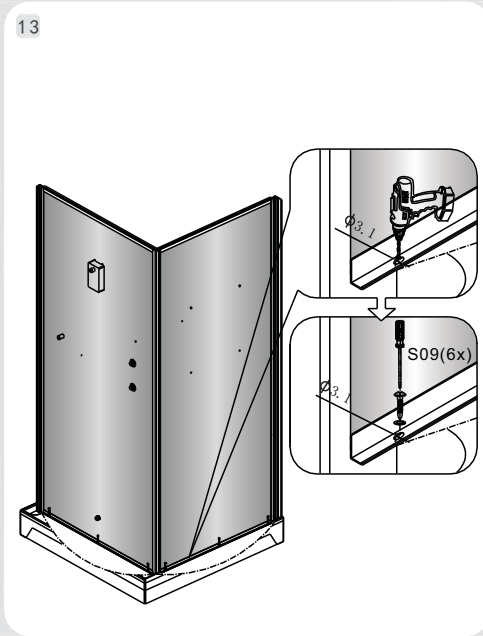


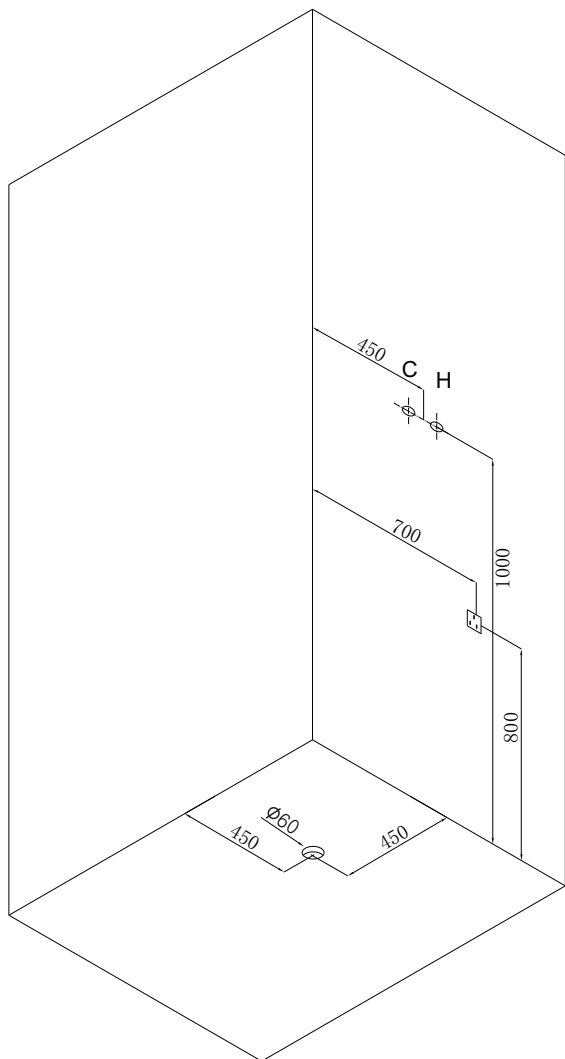
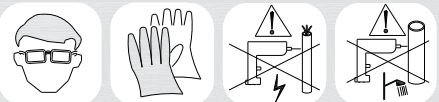
Remote

- | | |
|-------------------------------|-------------------------|
| ① ----- Power ON/OFF & Unlock | ⑦ ----- Steam |
| ② ----- Fan ON/OFF | ⑧ ----- Light ON/OFF |
| ③ ----- FM Tuner Plus Key | ⑨ ----- Steam |
| ④ ----- Decrease | ⑩ ----- Increase |
| ⑤ ----- FM/CD | ⑪ ----- Telephone |
| ⑥ ----- Volume Decrease | ⑫ ----- Volume Increase |

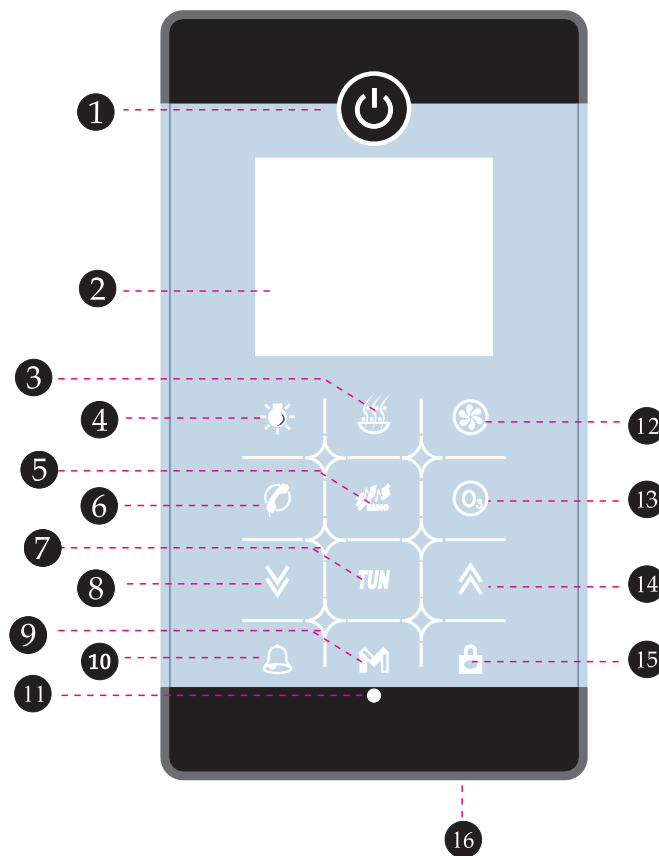


- | | |
|-----------------------------|--------------------------|
| ① ----- Temperature | ⑧ ----- Ozoner |
| ② ----- Temperature setting | ⑨ ----- Telephone |
| ③ ----- Time setting | ⑩ ----- FM tuner |
| ④ ----- Radio | ⑪ ----- FM tuner setting |
| ⑤ ----- CD | ⑫ ----- Locked mark |
| ⑥ ----- Lack of water | ⑬ ----- Fan |
| ⑦ ----- Steam | ⑭ ----- Light |





Control Panel Instruction Manual



- | | |
|------------------------|--------------------------|
| ① ----- ON/OFF Power | ⑨ ----- Manual |
| ② ----- Display screen | ⑩ ----- Warning button |
| ③ ----- Steam | ⑪ ----- Remote reception |
| ④ ----- Light control | ⑫ ----- Fan |
| ⑤ ----- FM/CD on/off | ⑬ ----- Ozoner |
| ⑥ ----- Telephone | ⑭ ----- Increase Key |
| ⑦ ----- FM | ⑮ ----- Key Unlocking |
| ⑧ ----- Decrease Key | ⑯ ----- MIC |