

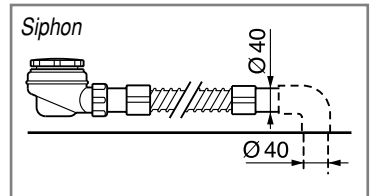
Measurements in mm

- ☀ - Hot water connection for 1/2" tap fittings
- ❄ - Cold water connection for 1/2" tap fittings
- ~ - IPX5 box with PG13.5 and PG9 cable clamps
 - ELECTRICAL CONNECTION
 - ALARM SYSTEM CONNECTION
- A - Area required to allow inspection of the system

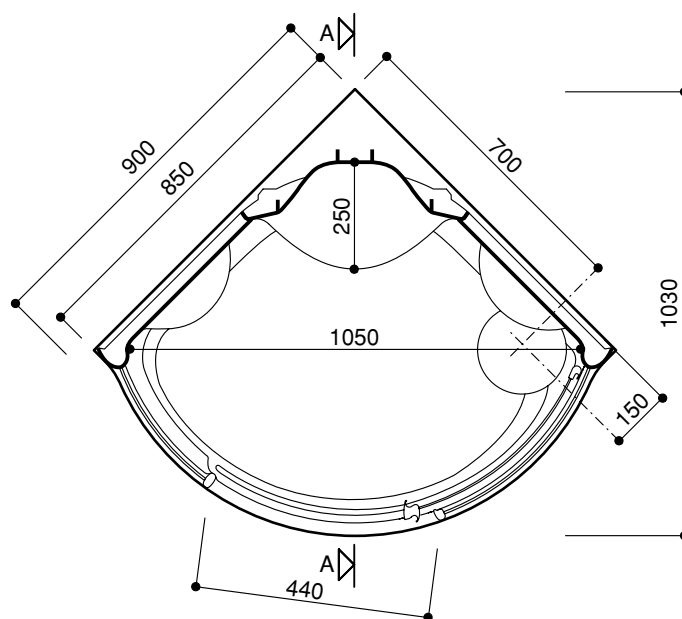
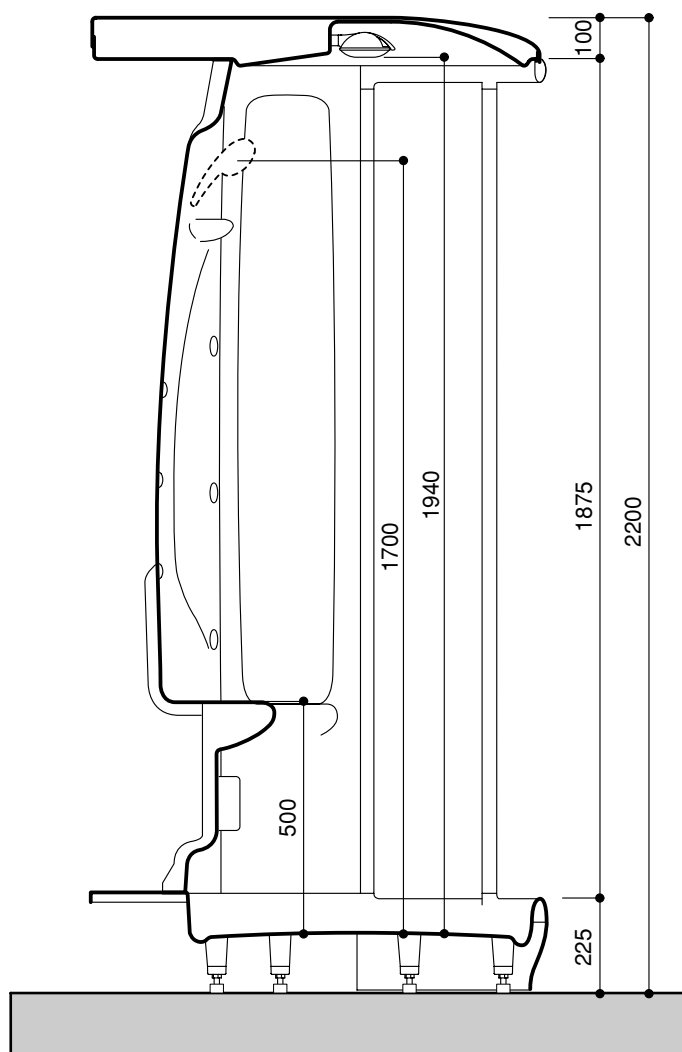
N.B. Installation must take place once floors and walls are completed.

The product is intended for corner installation only and cannot be built into a niche.

The room in which the sauna shower is to be installed must be at least 230 cm high for inspection and maintenance purposes.



ART. 161C			HYDRAULIC CHARACTERISTICS		ELECTRICAL CHARACTERISTICS				
Net Weight Kg.	Delivery Weight Kg.	Delivery Volume m³	Multifunctions		Sauna				
			Capacity	Water Main Pressure	Art.	Mod.	V	Hz	kW
106	148	2,19	9 ÷ 16 l/min	Min 2 ÷ Max 5 bar	C	2NEX28	230	50	2,5



ELECTRICAL INSTALLATION

- The electrical power supply system must be in compliance with national statutory regulations.
- The appliance must be connected to the power supply by way of an isolating switch (I) with minimum contact separation of 3 mm, sited away from areas 0, 1, 2 and 3 (IEC 364-7-701).
- Make certain the appliance is connected to the power source by way of a residual current device with minimum threshold ≤ 30 mA.
- The electrical connection (\sim) must include a connection to the earth system and must be:
 - permanent
 - able to handle the rated current (see data plate).
 - specified to liquids ingress protection category IPX5.

EQUIPOTENTIAL BONDING

The appliance must be equipotentially bonded by making the connection to the terminal positioned at the bottom of the frame.

CONNECTION FOR ALARM SYSTEM

The product is prewired for connection to the bathroom alarm system (open/close contact, voltage-free).

HYDRAULIC INSTALLATION

Prepare the hot and cold water connections for water supply and the drain connection.

The Multifunctions will work properly only when the water supply has the following characteristics:

- water main min/max pressure 2 - 5 bar
- max. temperature of hot water for shower and multifunction 60°.

