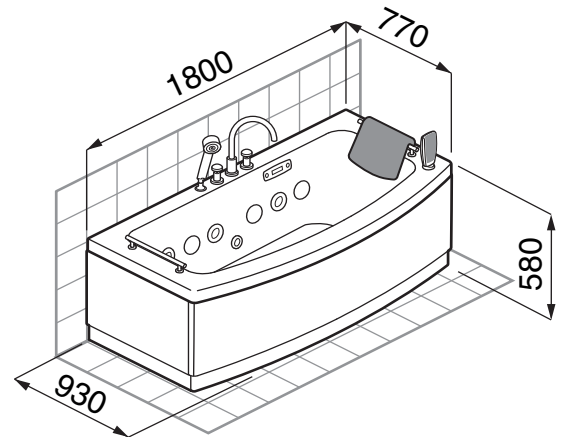
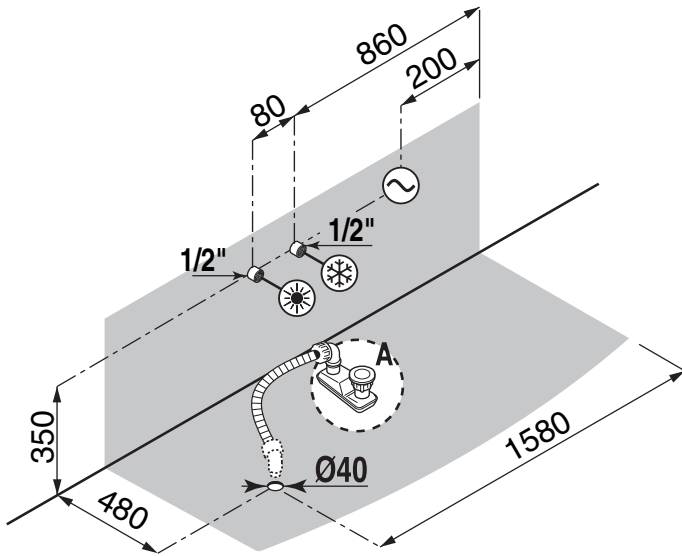


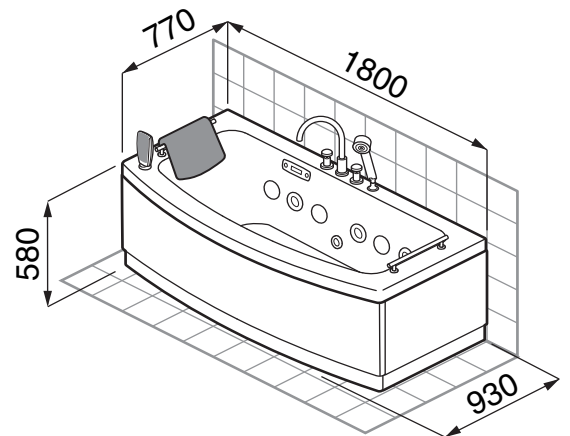
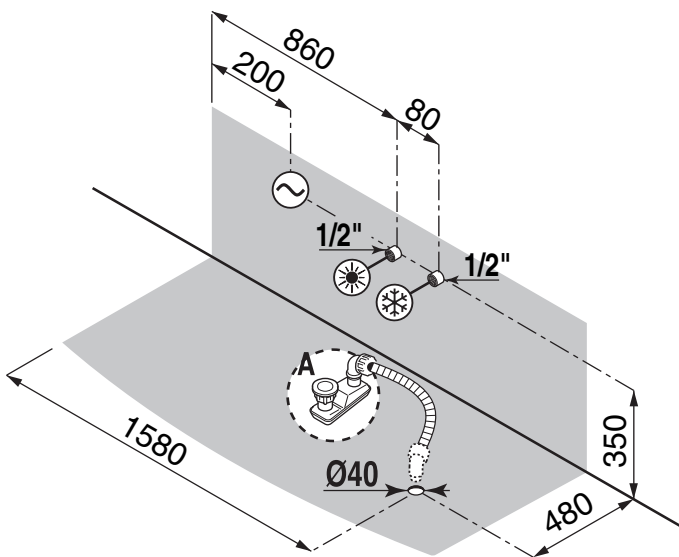
with tap on rim of bathtub

STANDARD BATHTUB



with tap on rim of bathtub

BATHTUB TURNED 180°

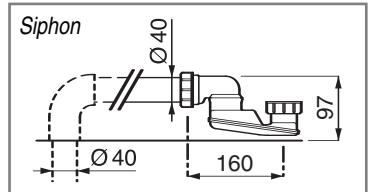


Measurements in mm.

- ☀ - Hot water connection for 1/2" tap fittings
- ❄ - Cold water connection for 1/2" tap fittings"
- ~ - IPX5 box with PG13.5 and PG9 cable clamps
- ELECTRICAL CONNECTION
- ALARM SYSTEM CONNECTION
- A - Fit the pop-up waste before installing the tub in the corner of the bathroom.

N.B. Measurements must be taken once the floors and walls are finished.

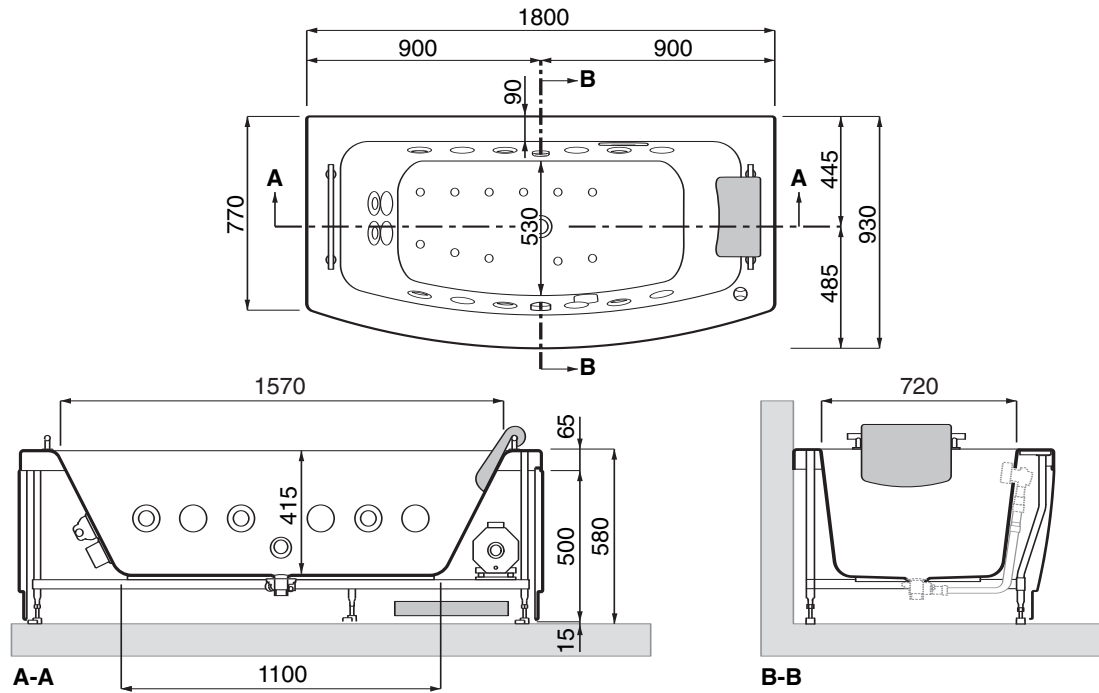
INSTALLATION WITH THREE SIDES AGAINST WALL: prepare a recess of width equal to the corresponding dimension of the product, plus 1.5 cm.



ART. H T06					HYDRAULIC CHARACTERISTICS			ELECTRICAL CHARACTERISTICS				
Net Weight Kg.	Water Content ⁽¹⁾ lt.	Floor Load Kg/m ²	Delivery Weight Kg.	Delivery Volume m ³	Hydromassage			Art.	Whirlpool Mod.	V	Hz	Installed Power kW
					Jets N.	Water Capacity l/m.	Air Flow l/m.					
88	242	385	118	1,51	8	400	280	GL - XL	2WHX28	230	50	1,4
								GL - XL/Blower	2WHB28			1,9
								GXL	3WHR28			2,6
								GXL/Blower	3WHK28			2,95

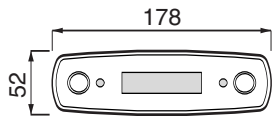
(1) - At overflow level

ART. H T06

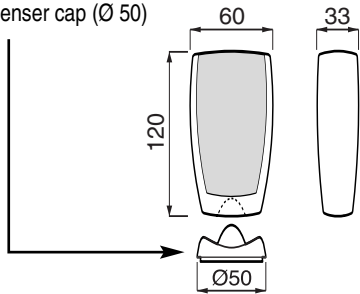


HYDROSONIC

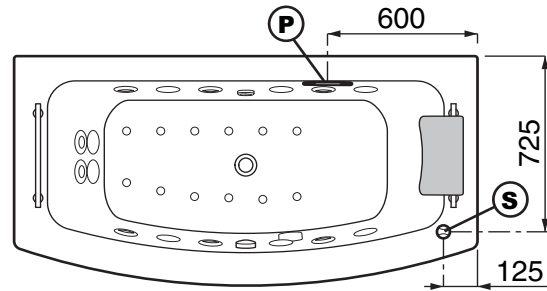
P - Electric Control Panel



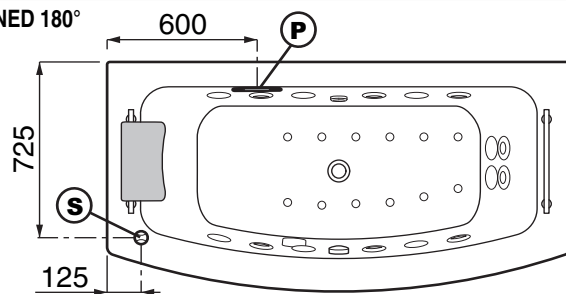
S - Remote control
- Dispenser cap (Ø 50)



STANDARD BATHTUB



BATHTUB TURNED 180°



ELECTRICAL INSTALLATION

- The electrical power supply system must be in compliance with national statutory regulations.
- The appliance must be connected to the power supply by way of an isolating switch (I) with minimum contact separation of 3 mm, sited away from areas 0, 1, 2 and 3 (IEC 364-7-701).
- Make certain the appliance is connected to the power source by way of a residual current device with minimum threshold ≤ 30 mA.
- The electrical connection (~) must include a connection to the earth system and must be:
 - permanent
 - able to handle the rated current (see data plate).
 - specified to liquids ingress protection category IPX5.

EQUIPOTENTIAL BONDING

The appliance must be equipotentially bonded by making the connection to the terminal positioned at the base of the electric motor/pump unit.

CONNECTION FOR ALARM SYSTEM

The product is prewired for connection to the bathroom alarm system (open/close contact, voltage-free).

HYDRAULIC INSTALLATION

Prepare hot and cold water connections for water supply and the drain connection.

When the water from the main is hard water, the installation of a water-softener is advisable to ensure the efficient working of the hydromassage.

BATHTUBS WITH COMBINED OVERFLOW AND FILLER SPOUT

A DB type device must be installed at least 150 mm above the bathtub rim in accordance with EN 1717 standard (see Taps art. 2009).

