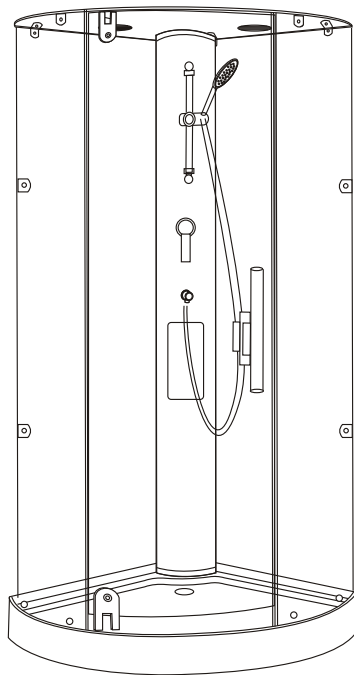


Full glass shower room

Model : KS0808, KS0909, KS1010, KS1111



Installation and Operation Manu

Contens

Warning

Caution

Water parameters

Dimensions for Water Supply, Drain Hole

accessories

Overview

Tools

Install instruction

Parts installation

Water massage

Shower





Dear user,

Thank you for purchasing our leisure sanitary ware. To enable you to use this product safely and effectively, please read this Installation and Operation Manual carefully before use.

Warning:

1. Please read this manual carefully before use.
2. Take care to use this product for people after drink, people suffering from heart disease or hypertension, and the elder and pregnant women.
3. Any child or person with mental disability must use this product with the company of the adult.
4. To get the water, turn the tap to the middle of the hot/cold water indication first, pull on the tap, try to feel the water temperature with the fingers, and turn the tap to get the desirable temperature then avoid the sudden scald by hot water.
5. If you feel uncomfortable, please shut off the power

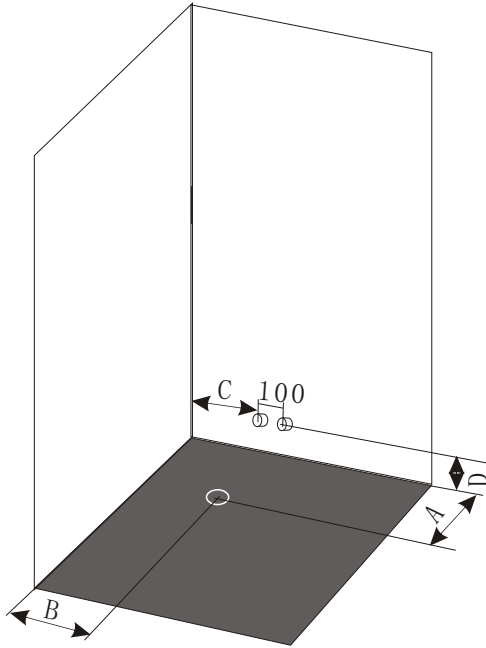
Caution:

	<p>3 people are recommended to assemble this shower cabin.</p>
	<p>Goggles are recommended to protect the eyes.</p>
	<p>Caution: Always Handle Glass With Care! Always protect the edges and corners of the glass when assembling.</p>
	<p>Gloves are recommended to prevent slipping on glass.</p>

Water parameters

<p>Connector apertures for supply/drain pipe</p>	
<p>Cold/hot water</p>	<p>Drainer</p>
<p>G1/2"</p>	<p>φ40mm</p>

Dimensions for Water Supply, Drain Hole



Model : KS0808	
Size : 800X800X2120	
A	220mm
B	220mm
C	300mm
D	50mm

Model : KS0909	
Size : 900X900X2120	
A	250mm
B	250mm
C	300mm
D	50mm




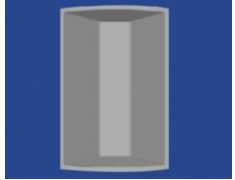



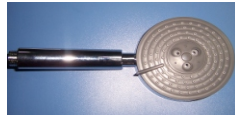
Model : KS1010	
Size : 1000X1000X2120	
A	240mm
B	240mm
C	300mm
D	50mm

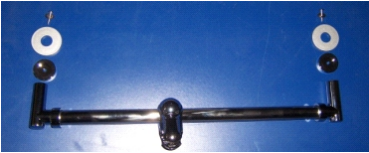


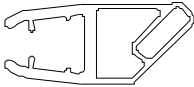

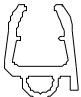



Model : KS1111	
Size : 1100X1100X2120	
A	240mm
B	240mm
C	300mm
D	50mm

Note: (1)G1/2" connector is taken for cold/hot water supply, with the elbow 30mm out of the wall. It is recommended to provide a valve for each of the cold and hot water pipeline.

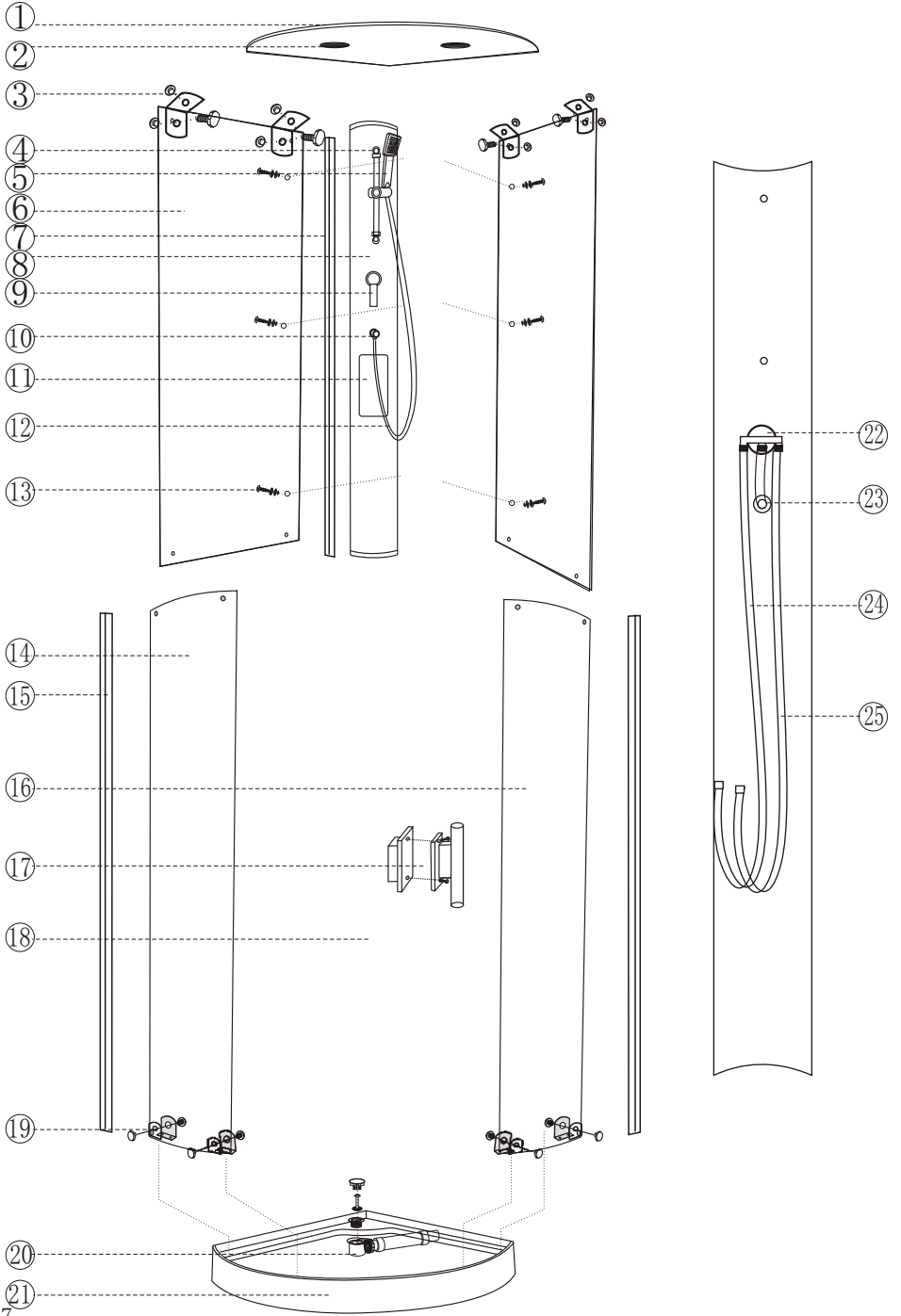
Accessories

No .	accessories		Quantity	Size
1	Tray	1		
2	Shower head joint	1		
3	(H802) Shower pipe	1	1.5m	
4	Cold and hot water pipe	2	2m	
5	axial hinge	2	Screw: ST4X16	
6	(KDBA11) single-functional faucet			
7	tube handle	1		
		1		

No .	accessories		Quantity	Size	
8	Loudspeaker cover		2		
9	Column fixed screw		6	ST4X25	
10	function pole upper-lower seal		2		
11	soap box		1		
12	0° glass clamp	KS0808	6	Screw: ST4X16	
		KS0909 KS1010 KS1111	8		
13	2° glass clamp		4		
14					
15	90° glass clamp Mobilizable lower head	KS0808	6		
		KS0909 KS1010 KS1111	8		
	(D991)		1		

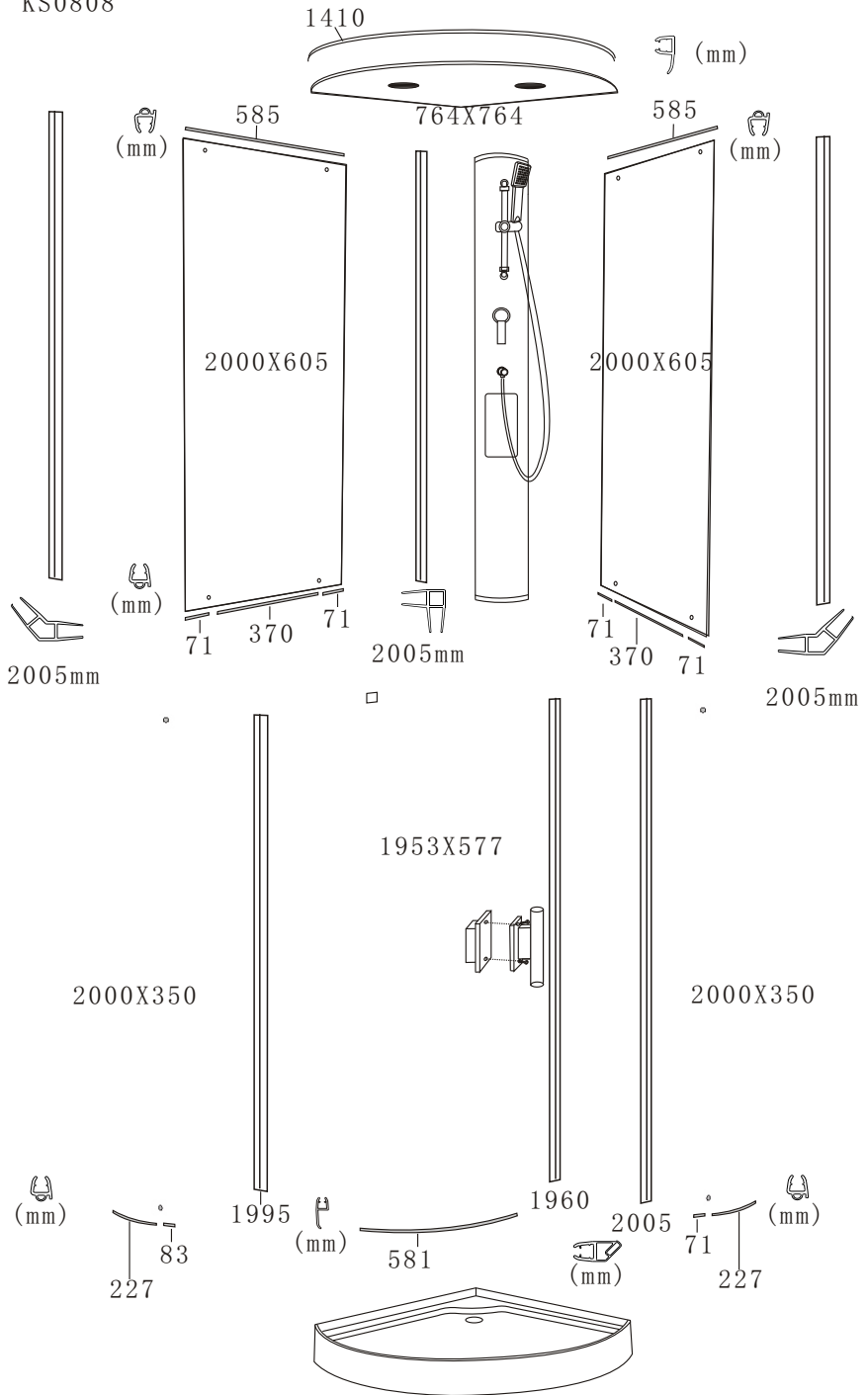
No .	accessories	Quantity	Size	
16	Elevating lever +holder	1	320mm	
17	132° plastic tape	2	2005mm	
18	90° plastic tape	1	2005mm	
19	(308A2X6) magnetic tape	2	1960mm 2005mm	
20	(309BX6) bottom-door water proof tape	1	Please find specification in	
21	(307BX6) upper-lower water proof tape	1	Please find specification in	
22	(309BX6) by-door water proof tape	1	1995mm	
23	(L438X6) capping water proof tape	1	Please find specification in	
24	6mm glass	1	1998mm	
		7	Please find specification in parts drawing	

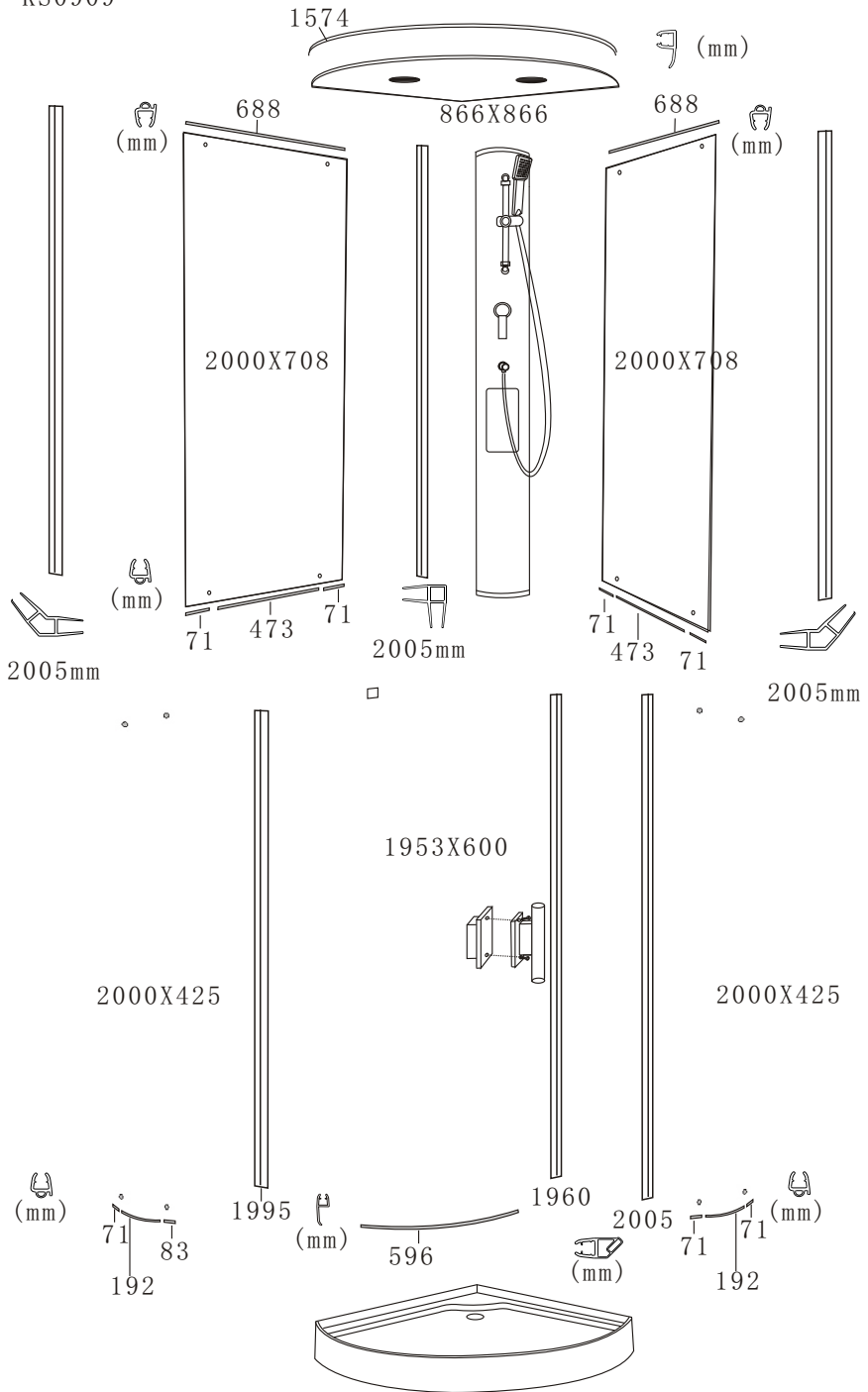
Overview



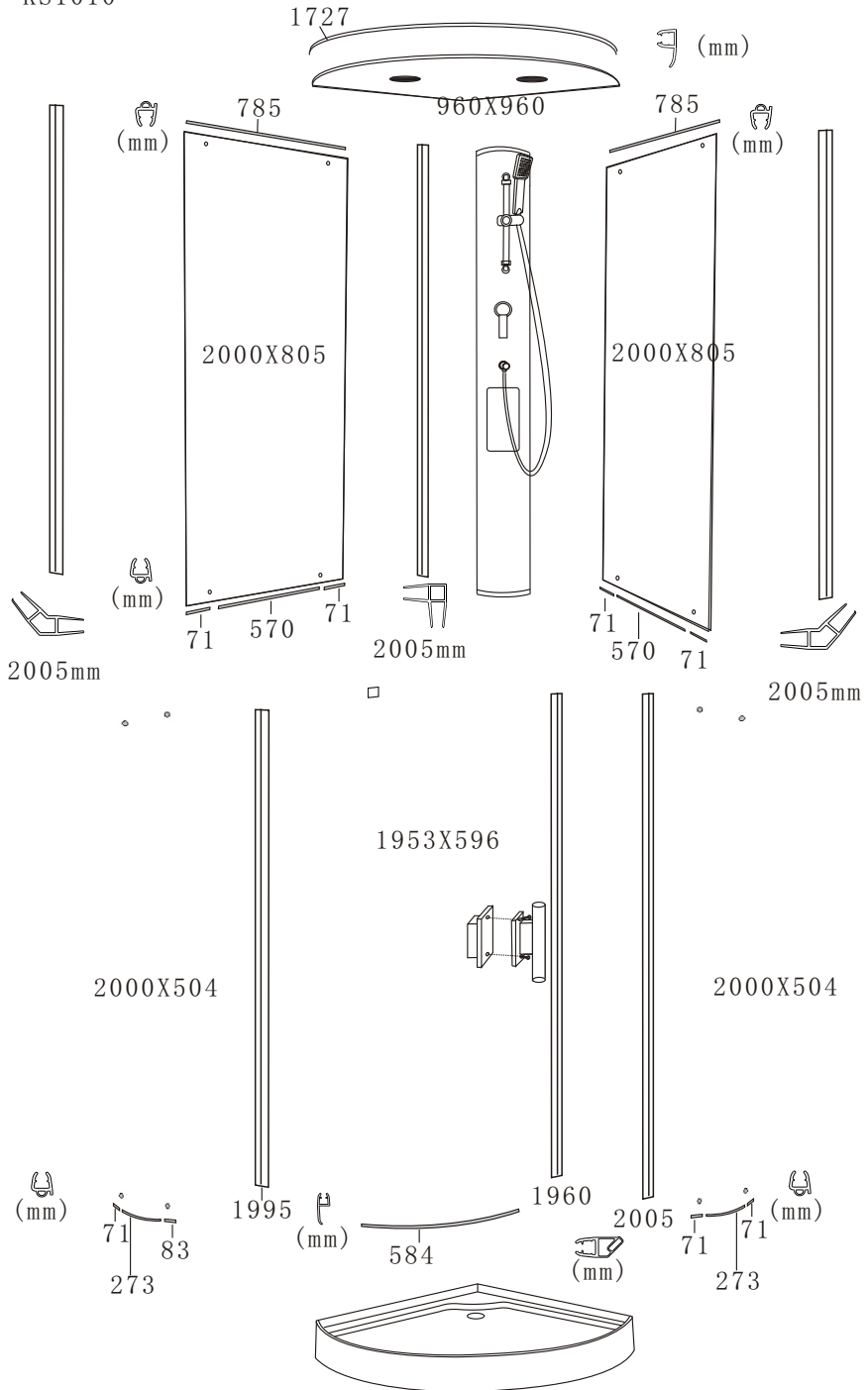
1	top cover	17	Tube handle
2	Loudspeaker cover	18	glass door
3	L Glass clamp	19	glass clamp
4	Sliding Bar	20	Drainage set
5	Mobilizable shower head	21	tray
6	back glass	22	single-functional faucet
7	90° gasket	23	shower head joint
8	Al-alloy	24	cold water pipe
9	single-functional faucet	25	hot water pipe
	shower head joint	26	
10	soap box	27	
11	shower pipe	28	
12	ST4X25 screw	29	
13	fixed glass	30	
14	132° gasket	31	
15	fixed glass	32	
16			

KS0808

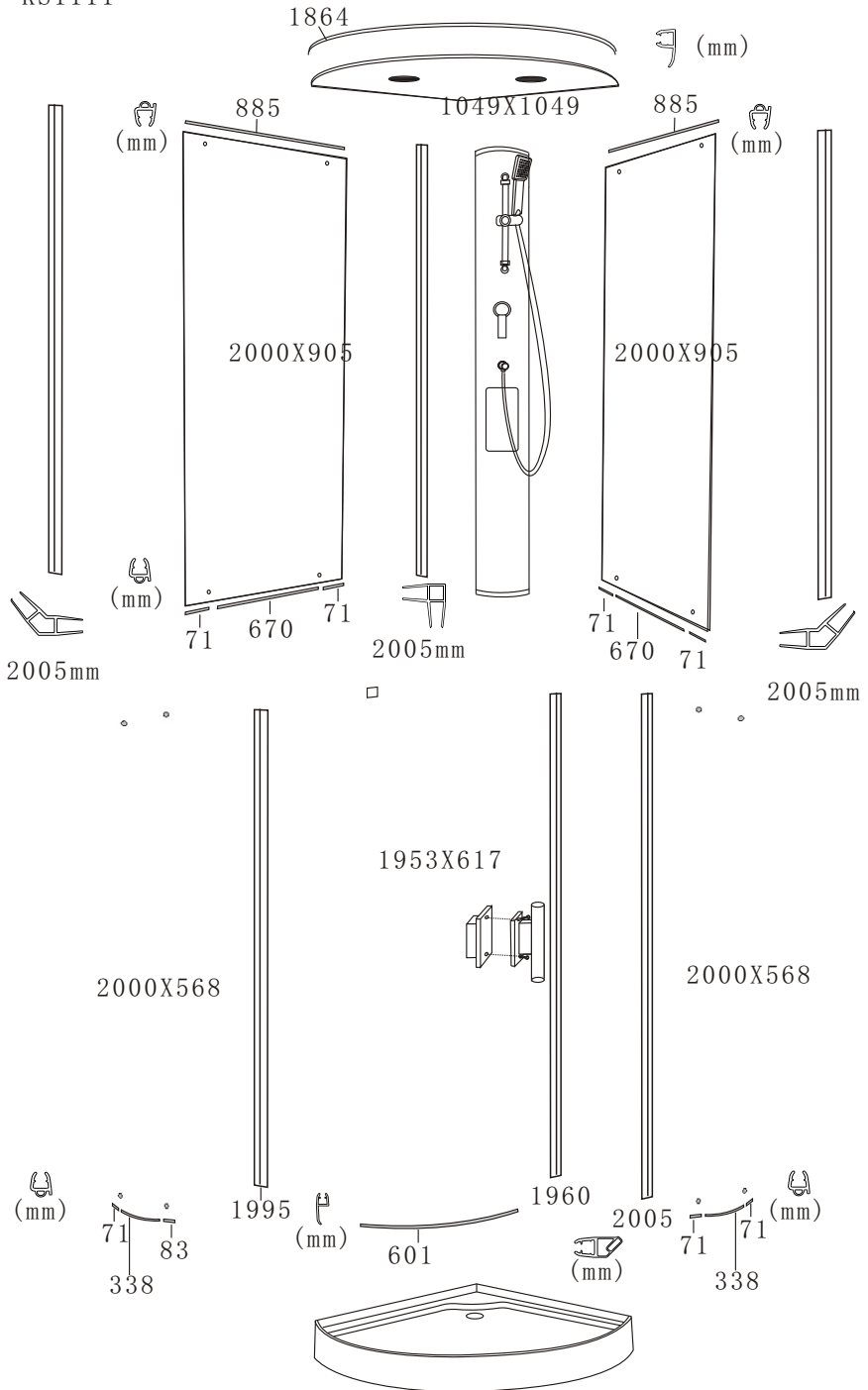




KS1010



KS1111



TOOLS



Level gauge



Movable wrench



Cross-head
screw driver



Inner
Allen key

Install instruction

Total three packages are included: top glass and tray is one, surrounding glass is another, The last is the function pole and other accessories. Handle with care when process the assembling. put some soft stuffing on the ground, then put glass and accessories on it.



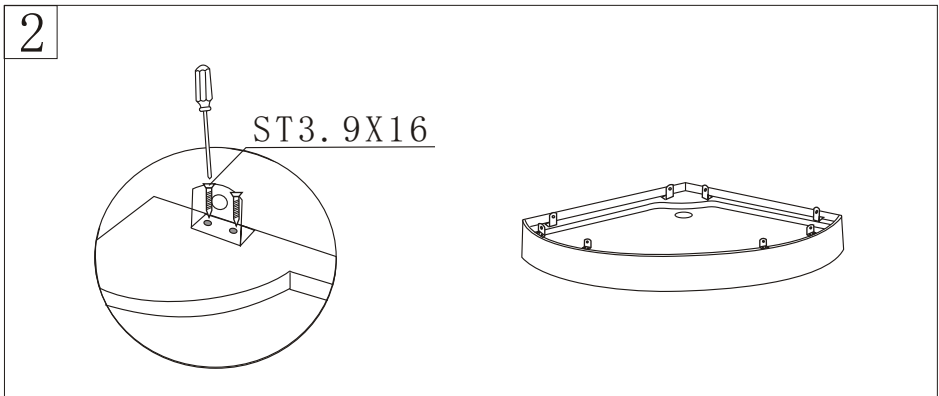
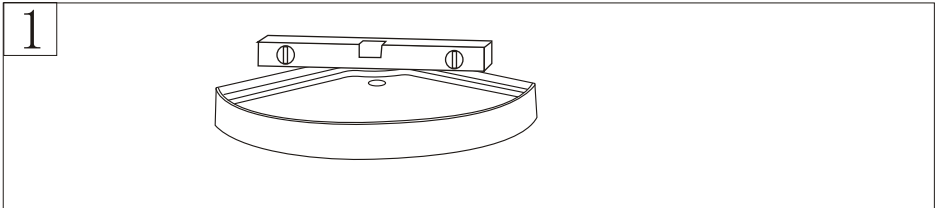
Tray package



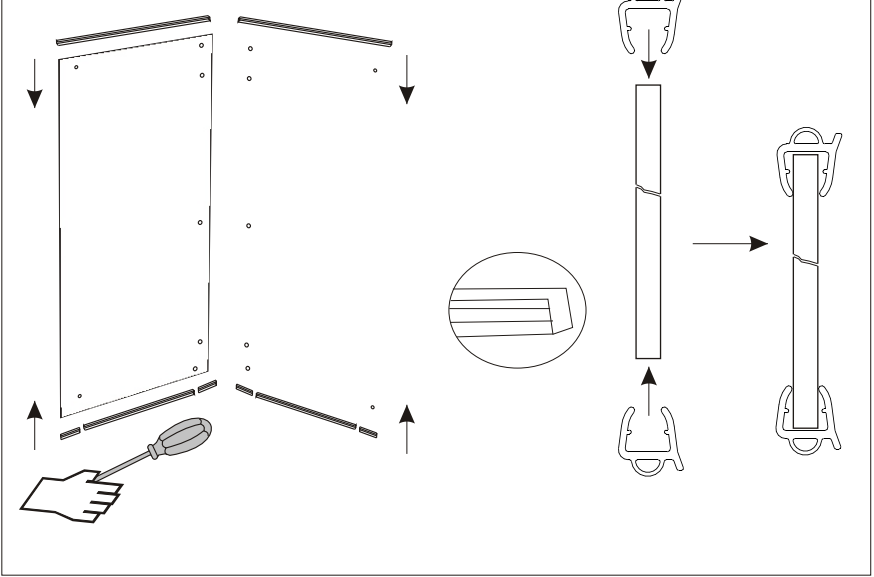
body package



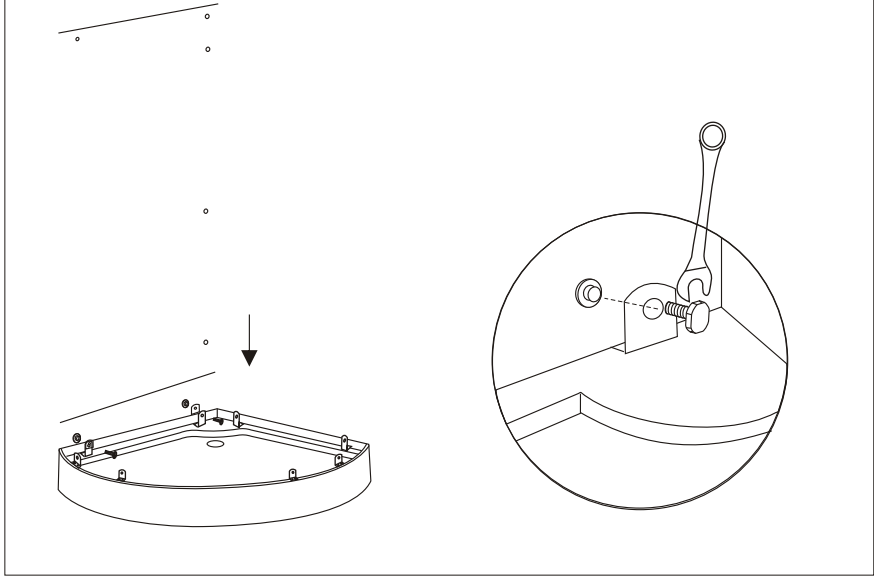
column



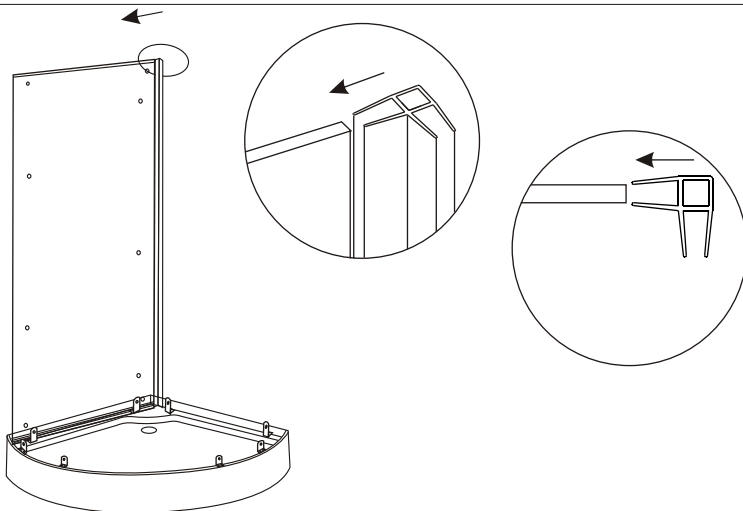
3



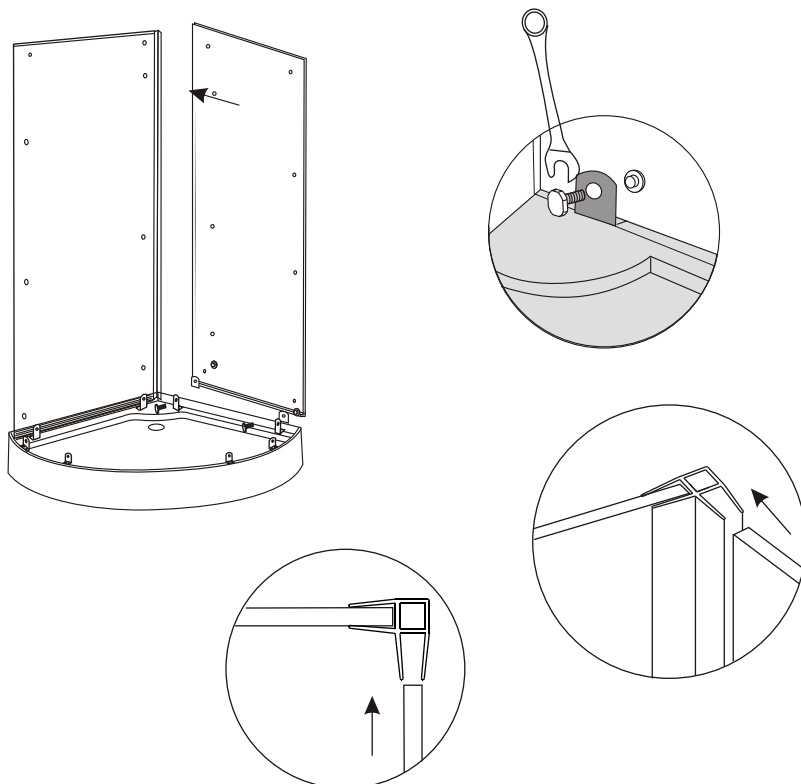
4



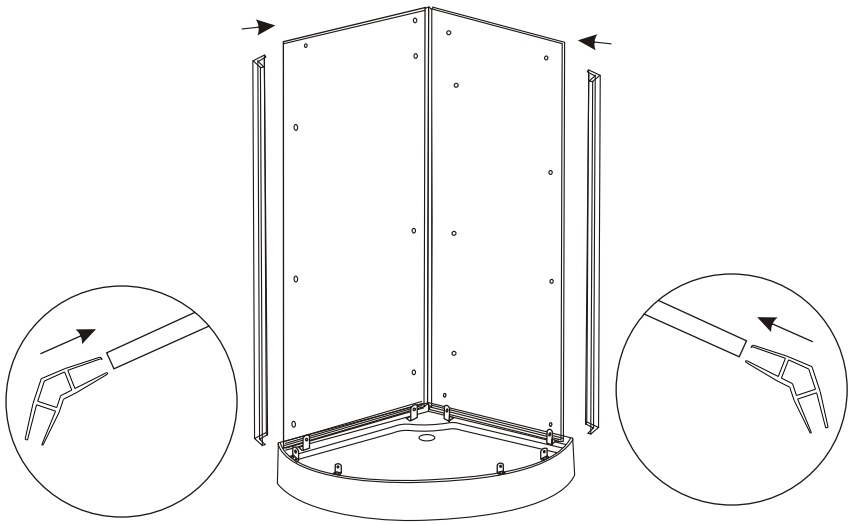
5



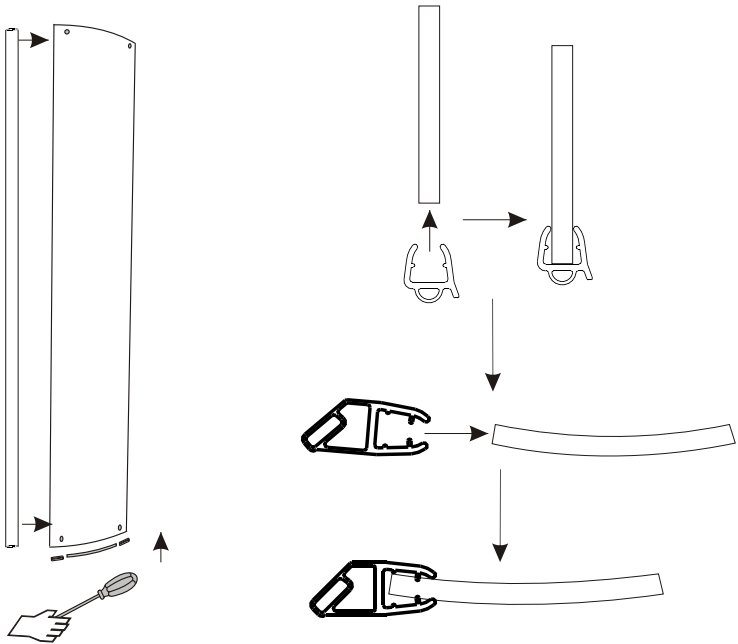
6



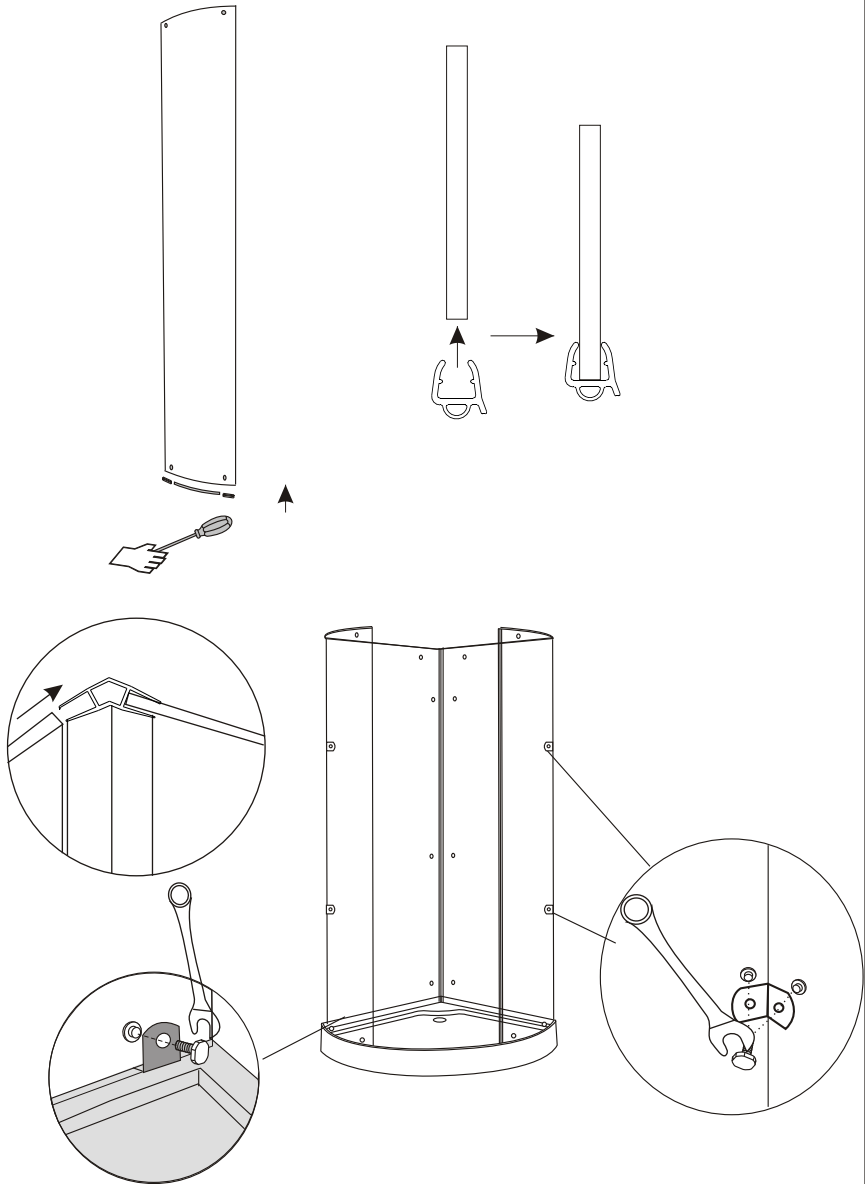
7



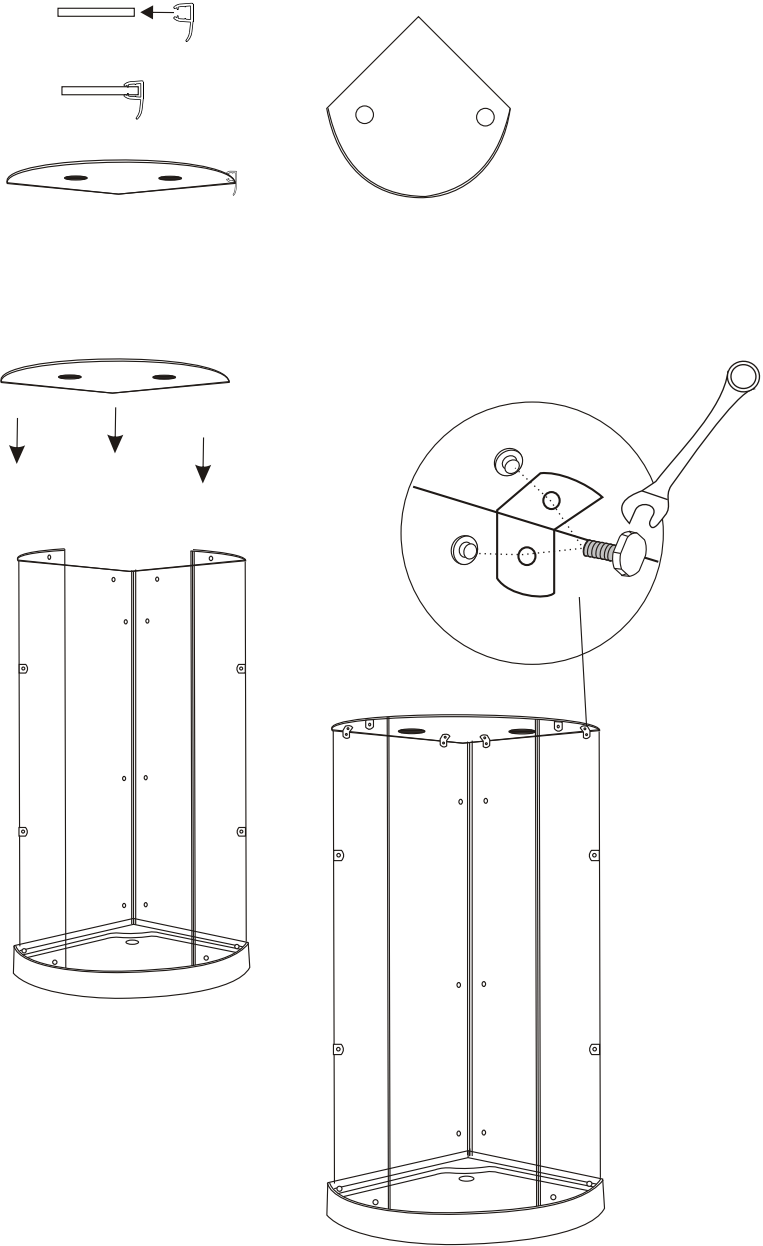
8



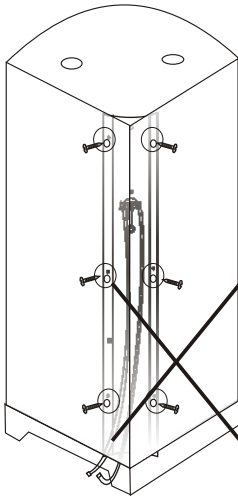
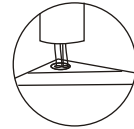
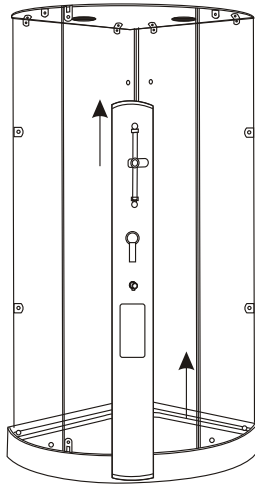
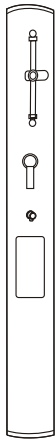
9



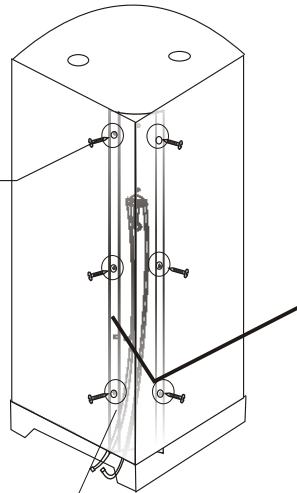
10



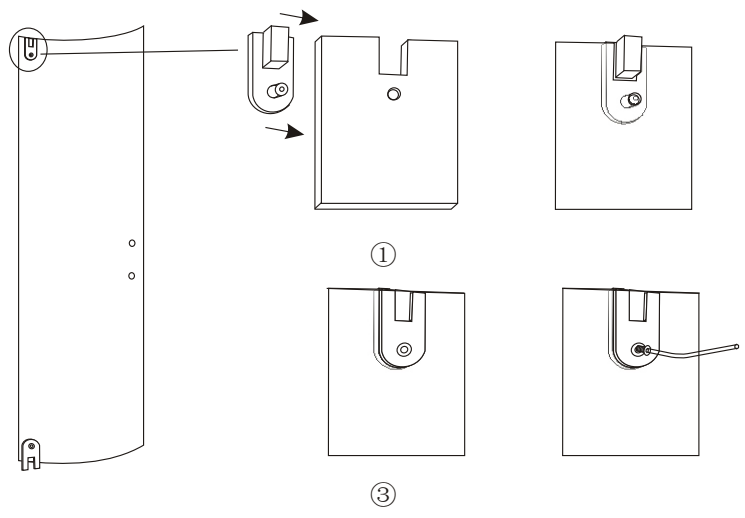
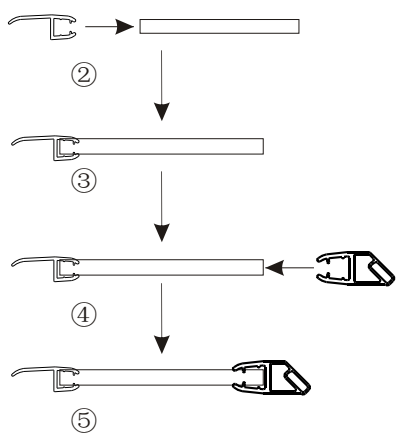
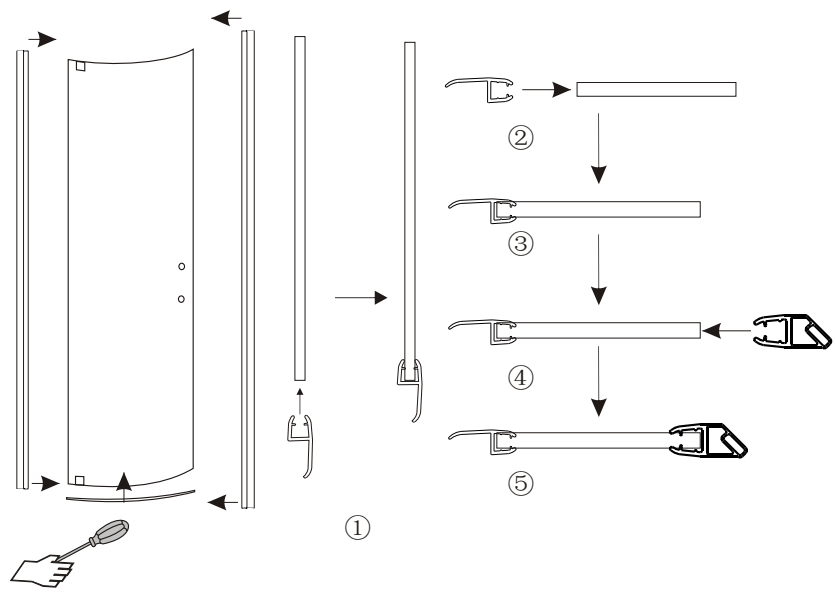
11



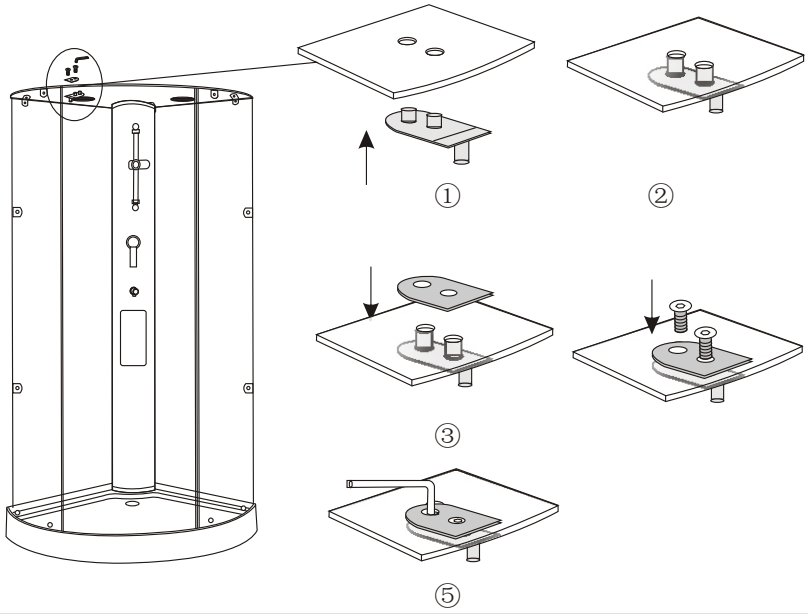
ST4X25



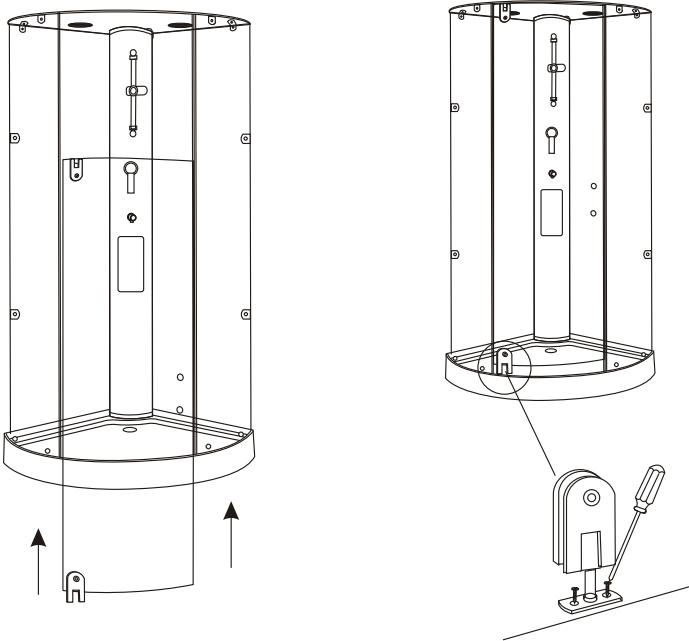
All holes should be going through correctly

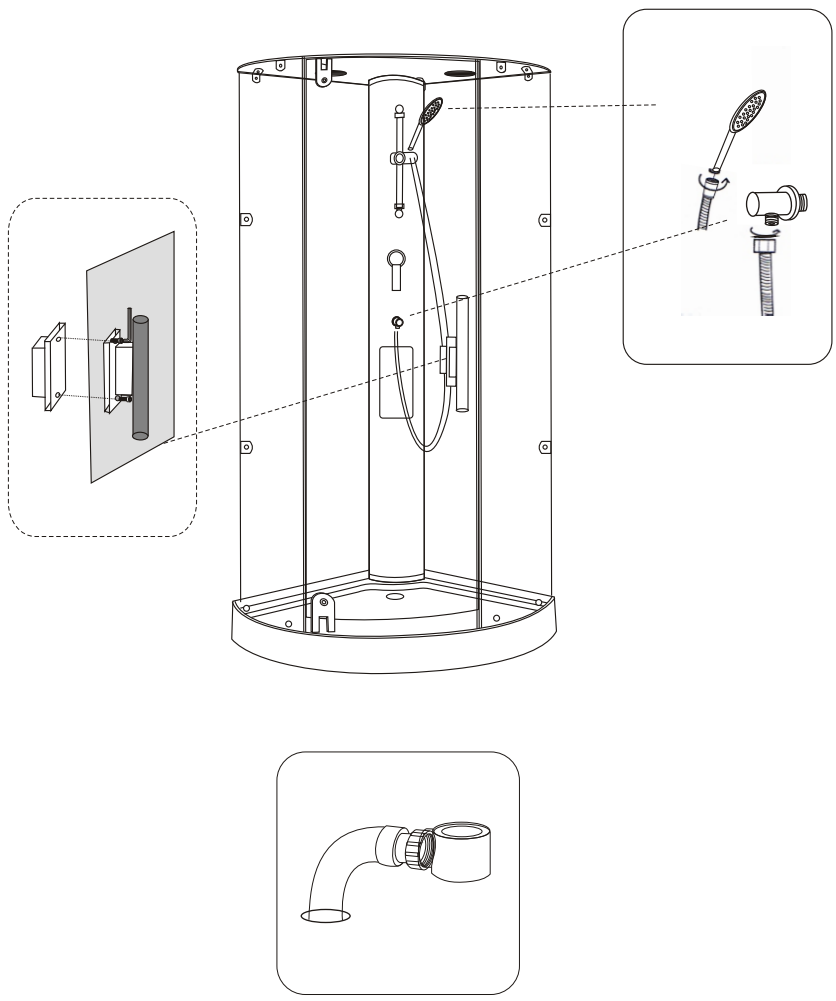


13



14





Parts installation

